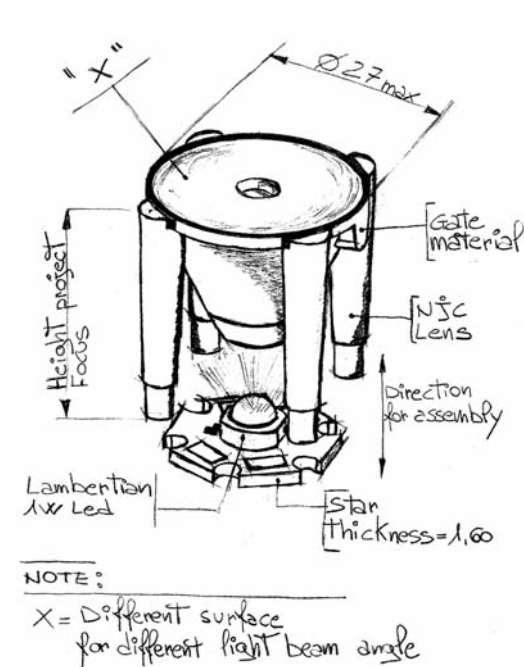


# KHATOD®

Optical Solutions for LED Lighting



khatod.com

## Reflector - Reflector for COB LED

							
<b>KCLP1279 - 11x11 mm</b>	<b>KCLP1278 - 16x16 mm</b>	<b>KCLP17 - 17 mm</b>	<b>KCLP1411 - 19,7 mm</b>	<b>KCLP1490 - 20x20 mm</b>	<b>KCLP20 - 20,4 mm</b>	<b>KCLP1486 - 21x21 mm</b>	<b>KCLP1359 - 21,7 mm</b>
<b>LUXEON A REBEL/REBEL ES</b>	<b>LUXEON A REBEL/REBEL ES</b>	<b>LUXEON A REBEL/REBEL ES</b>	<b>LUXEON A/REBEL REBEL ES</b>	<b>REBEL WHITE/REBEL ES LUXEON A</b>	<b>LUXEON A REBEL/REBEL ES</b>	<b>REBEL/REBEL ES LUXEON A</b>	<b>LUXEON A/REBEL REBEL ES</b>
NSW119A NSW219A	119A/219A 153A/183A SERIE	NSW119A NSW219A	119A/219A	NVSW119A NVSW219A	NSW119A NSW219A	NVSW119A NVSW219A	119A/219A
<b>OSRAM</b> Opto Semiconductors	<b>OSLON</b>	<b>OSLON</b>	<b>OSLON</b>	<b>OSLON SSL150 /OSLON SQUARE OSLON SSL 80</b>	<b>OSLON</b>	<b>OSLON SSL150 /OSLON SQUARE OSLON SSL 80</b>	<b>OSLON</b>
<b>CREE</b>	XBD/XPE XPG/XTE	XBD/XPE XPG/XTE	MX6/XBD/XML XPE/XPG/XTE	XBD/XTE XPE/XPG	XBD/XPE XPG/XTE	XBD/XTE XPE/XPG	MX6/XBD/XML XPE/XPG/XTE
<b>SEOUL</b>	ZP/ZP5	ZP/ZP5	ZP/ZP5	Z5P	ZP/ZP5	Z5P	Z5P
<b>BRIDGELUX</b>			ASMT-JN31				ASMT-JN31
<b>AVAGO</b> TECHNOLOGIES							
<b>CITIZEN</b> Opto Semiconductors			CLL-400/CL-430				CLL-400/CL-430
<b>EVERLIGHT</b>	SHUEN	SHUEN/SHWO	SHUEN	SHUEN/SHWO	SHUEN	SHUEN	SHUEN/SHWO
<b>LED ENGIN</b>		Z1					
<b>LG Innotek</b>	3535 PKG	3535 PKG	3535 PKG	3535 PKG			3535 PKG
<b>LITEON</b>	LTPL-C02	LTPL-C02	LTPL-C02	LTPL-C02	LTPL-C02	LTPL-C02	LTPL-C02
<b>ProLight Opto</b> Technology Corporation	PHENIX	PHENIX CRAB	PHENIX	CRAB/PHENIX	PHENIX	PHENIX	CRAB/PHENIX
<b>SAMSUNG</b>	CERAMIC 3535	CERAMIC 3535	CERAMIC 3535	3535	CERAMIC 3535	CERAMIC 3535	3535
<b>SHARP</b>			KGD/OSLON OSTAR				
							
<b>KCLP141260 - 50 mm</b>	<b>KCLP141280 - 50 mm</b>	<b>65 mm</b> With LED Adaptor	<b>65 mm</b> With LED Adaptor	<b>65 mm</b> With LED Adaptor	<b>65 mm</b> With LED Adaptor	<b>65 mm</b> With LED Adaptor	<b>90 mm</b> With LED Adaptor
<b>LUXEON A</b>		<b>KCLP1703 - 1203</b> <b>KCLP1708 - 1205/1208</b>	<b>KCLP1704 - 1203</b> <b>KCLP1709 - 1205/1208</b>	<b>KCLP1705 - 1203</b> <b>KCLP1710 - 1205/1208</b>	<b>KCLP1706 - 1203</b> <b>KCLP1711 - 1205/1208</b>	<b>KCLP1707 - 1203</b> <b>KCLP1712 - 1205/1208</b>	
							<b>KCLP1669</b> <b>SOLERIQ E30</b> <b>KCLP1713</b> <b>CXA3050</b>
<b>OSRAM</b> Opto Semiconductors							
<b>CREE</b>	CXA 2011/MCE	CXA 2011/MCE	<b>KCLP1682 - CXA15XX</b> <b>KCLP1687 - CXA25XX</b>	<b>KCLP1683 - CXA15XX</b> <b>KCLP1688 - CXA25XX</b>	<b>KCLP1684 - CXA15XX</b> <b>KCLP1689 - CXA25XX</b>	<b>KCLP1685 - CXA15XX</b> <b>KCLP1690 - CXA25XX</b>	<b>KCLP1686 - CXA15XX</b> <b>KCLP1691 - CXA25XX</b>
<b>SEOUL</b>							
<b>BRIDGELUX</b>							
<b>AVAGO</b> TECHNOLOGIES			<b>KCLP1446</b> ES SERIES	<b>KCLP 1447</b> ES SERIES	<b>KCLP 1448</b> ES SERIES	<b>KCLP 1449</b> ES SERIES	<b>KCLP 1450</b> ES SERIES
<b>CITIZEN</b> Opto Semiconductors			<b>KCLP1461 - CLL030</b> <b>KCLP1466 - CLL020</b>				
<b>EVERLIGHT</b>							
<b>LED ENGIN</b>	LZ1-LZ4	LZ1-LZ4		<b>KCLP 1462 - CLL 030</b> <b>KCLP 1467 - CLL 020</b>	<b>KCLP 1463 - CLL 030</b> <b>KCLP 1468 - CLL 020</b>	<b>KCLP 1464 - CLL 030</b> <b>KCLP 1469 - CLL 020</b>	<b>KCLP 1465 - CLL 030</b> <b>KCLP 1470 - CLL 020</b>
<b>LG Innotek</b>							<b>KCLP 1474 - CLL 050</b> <b>KCLP 1477 - CLL 040</b>
<b>LITEON</b>							
<b>ProLight Opto</b> Technology Corporation	CRAB	CRAB					
<b>TRIDONIC</b> empowering your ideas			<b>KCLP1640 - G2 LES10,5</b> <b>KCLP1645 - G2 LES17</b>	<b>KCLP1641 - G2 LES10,5</b> <b>KCLP1646 - G2 LES17</b>	<b>KCLP1642 - G2 LES10,5</b> <b>KCLP1647 - G2 LES17</b>	<b>KCLP1643 - G2 LES10,5</b> <b>KCLP1648 - G2 LES17</b>	<b>KCLP1644 - G2 LES10,5</b> <b>KCLP1649 - G2 LES17</b>
<b>SHARP</b>			<b>KCLP1481</b> MEGAZENIGATA	<b>KCLP 1482</b> MEGAZENIGATA	<b>KCLP 1483</b> MEGAZENIGATA	<b>KCLP 1484</b> MEGAZENIGATA	<b>KCLP 1485</b> MEGAZENIGATA

## Reflector - Reflector for COB LED - Pixel

								
KCLP23 - 23 mm	KCLP28 - 27,5 mm	KCLP1426 - 34,5 mm	KCLP1427 - 34,5 mm	KCLP1428 - 34,5 mm	KCLP1270 - 39,8 mm	KCLP1277 - 50 mm	KCLP141225 - 50 mm	KCLP141240 - 50 mm
					LUXEON A REBEL/REBEL ES NVS119A NVS219A	LUXEON A REBEL/REBEL ES NVS119A NVS219A		
					OSLON/OSTAR XBD/XTE XPE/XPG	OSLON XBD/XTE XPE/XPG	CXA 2011/MCE	CXA 2011/MCE
ACRICHE/P7	ACRICHE/P7	P7/ACRICHE A3	P7/ACRICHE A3	ACRICHE/P7	Z5/Z5P	Z5/Z5P		
					SMT-JN31	SMT-JN31		
					CLL-400/CL-430	CLL-400/CL-430		
					SHUEN	SHUEN		
						LZ1-LZ4	LZ1-LZ4	LZ1-LZ4
					3535 PKG	3535 PKG		
					LTPL-C02	LTPL-C02		
					PHENIX/CRAB	PHENIX/CRAB	CRAB	CRAB
					CERAMIC 3535	CERAMIC 3535		
								
With LED Adaptor 90 mm	With LED Adaptor 90 mm	KCLP 1716CR - 97 mm	PIXEL 12 - 183,6x55,8 mm	PIXEL 24 - 183,6x111,7 mm	PIXEL 36 - 183,6 x 167,6 mm	PIXEL 48 - 183,6x223,5 mm	PIXEL 60 - 183,6x279,4 mm	
		REBEL/REBEL ES LUXEON A NVS119A NVS219A	REBEL / REBEL ES LUXEON A 183 A / 119 A / 219 A	REBEL / REBEL ES LUXEON A 183 A / 119 A / 219 A	REBEL / REBEL ES LUXEON A 183 A / 119 A / 219 A	REBEL / REBEL ES LUXEON A 183 A / 119 A / 219 A	REBEL / REBEL ES LUXEON A 183 A / 119 A / 219 A	
KCLP1670 SOLARIQ E30 KCLP1714 CXA3050	KCLP1671 SOLARIQ E30 KCLP1715 CXA3050	OSLON SSL150 /OSLON SQUARE OSLON SSL 80 XBD/XTE XPE/XPG	OSLON / OSTAR MLB / MX6 / XBD XML / XPE / XPG / XTE	OSLON / OSTAR MLB / MX6 / XBD XML / XPE / XPG / XTE	OSLON / OSTAR MLB / MX6 / XBD XML / XPE / XPG / XTE	OSLON / OSTAR MLB / MX6 / XBD XML / XPE / XPG / XTE	OSLON / OSTAR MLB / MX6 / XBD XML / XPE / XPG / XTE	
	KCLP 1473 RS SERIES	Z5P	Z5 / Z5 P	Z5 / Z5 P	Z5 / Z5 P	Z5 / Z5 P	Z5 / Z5 P	
KCLP 1472 RS SERIES			ASMT - JN 31	ASMT - JN 31	ASMT - JN 31	ASMT - JN 31	ASMT - JN 31	
	KCLP 1476 - CLL 050 KCLP 1479 - CLL 040		CL - 1400 / CL - 1430	CL - 1400 / CL - 1430	CL - 1400 / CL - 1430	CL - 1400 / CL - 1430	CL - 1400 / CL - 1430	
KCLP 1475 - CLL 050 KCLP 1478 - CLL 040		SHUEN	SHUEN / SWHON	SHUEN / SWHON	SHUEN / SWHON	SHUEN / SWHON	SHUEN / SWHON	
			LZ1	LZ1	LZ1	LZ1	LZ1	
			3535	3535	3535	3535	3535	
		LTPL-C02	LTPL - C02	LTPL - C02	LTPL - C02	LTPL - C02	LTPL - C02	
		PHENIX	PHENIX / CRAB	PHENIX / CRAB	PHENIX / CRAB	PHENIX / CRAB	PHENIX / CRAB	
KCLP1654 G2 LES19/23/26	KCLP1655 G2 LES19/23/26							

For more details  
REFLECTORS



LYRA REFLECTORS

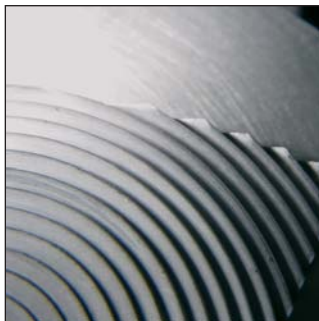
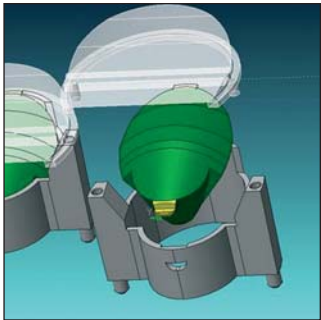


PIXEL

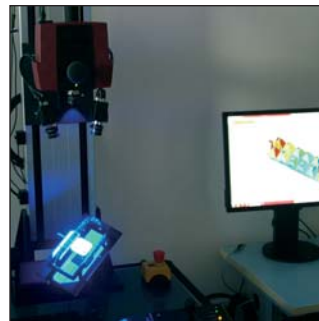
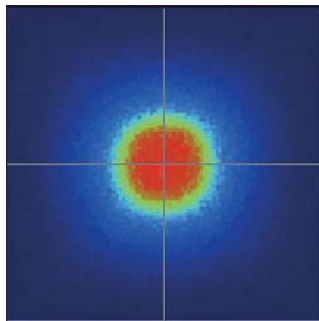
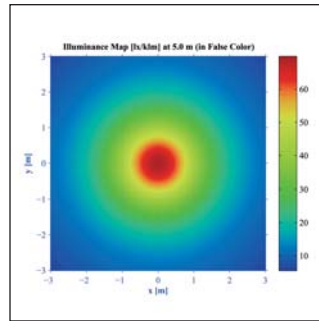
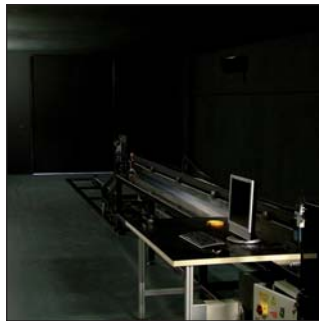
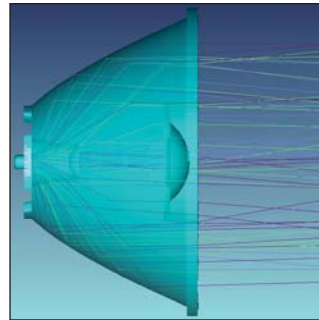
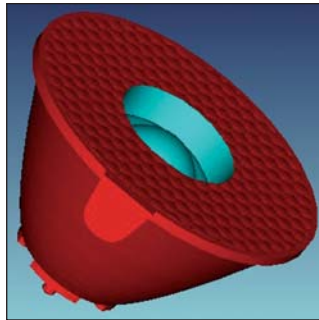
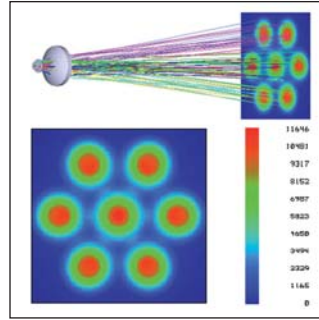
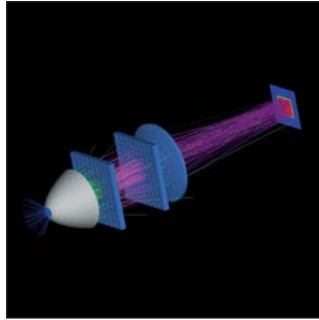




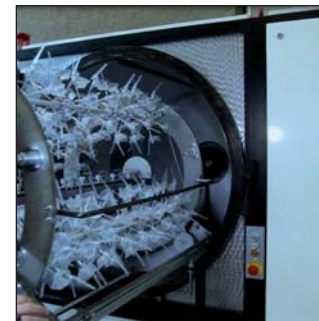
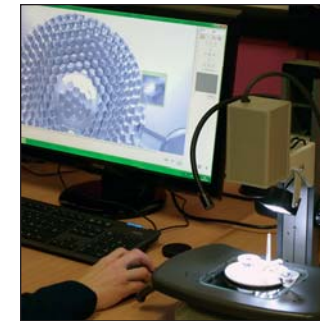
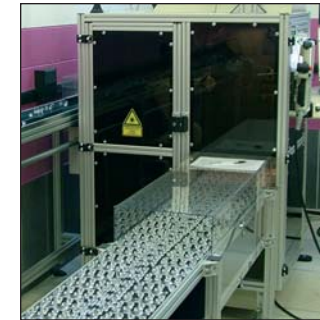
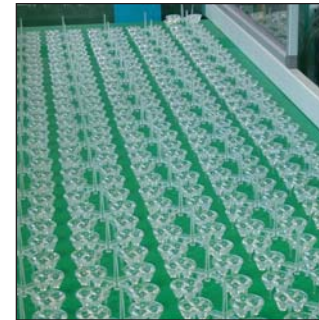
## Mechanical Department



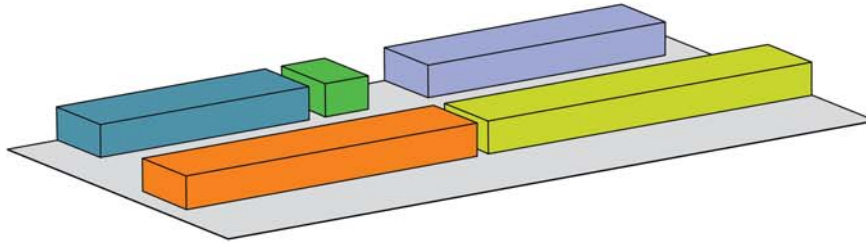
## Optical Department



## Production Department

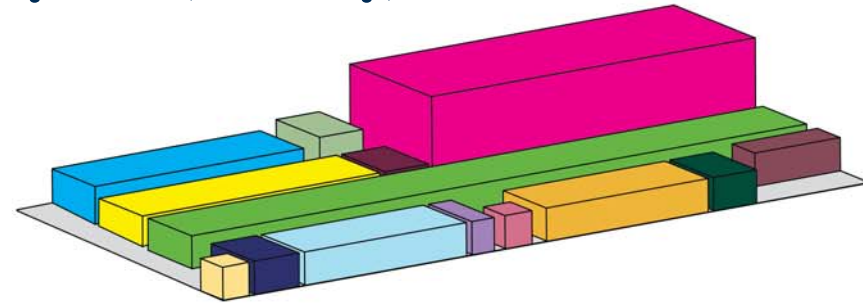


## 100% Automated System (24 h/day)



### In House Manufacturing Facilities, over a 4600 sqm surface

- ✓ Injection Machines
- ✓ Mould & Automation Design Department
- ✓ Mould Manufacturing & Fresnel Tooling
- ✓ Vacuum Coating Systems & Pad Printing Systems
- ✓ Silicone Optics Technology & Multi-Axis Dispensing Robots
- ✓ Optical Reflector Systems Technology & Production Equipment
- ✓ CNC Multi-Tasking Machines (Custom Lens Rework)
- ✓ Optical Design Department
- ✓ Hydrokinetic Cleaning Systems
- ✓ Laser Plotter Stations
- ✓ Ultrasonic Welding Systems
- ✓ Automated Warehouse



### Quality Control, Test & Inspection

- ✓ 3D Vision Measurements
- ✓ Dark Rooms & Photometric Metrology Test Laboratory
- ✓ Laser System Controls
- ✓ Packaging Automatic Systems



20092 Cinisello Balsamo (Milan) Italy • Via Monfalcone 41 • Phone +39 02 66013695 • Fax + 39 02 66013500  
skipe: khatod\_ita\_1 • khatod\_ita\_2

E-mail [khatod@khatod.com](mailto:khatod@khatod.com) • [www.khatod.com](http://www.khatod.com)

KHATOD Sales Offices & Stock



[khatodusa@khatod.com](mailto:khatodusa@khatod.com)



[khatodindia@khatod.com](mailto:khatodindia@khatod.com)



[khatodjapan@khatod.com](mailto:khatodjapan@khatod.com)

