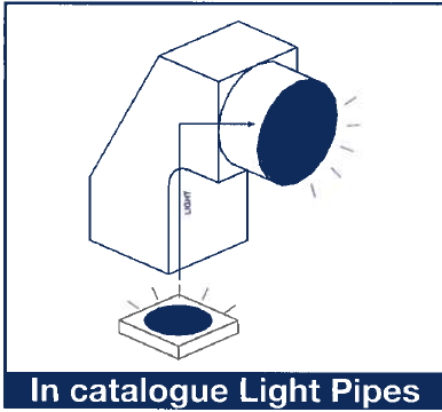


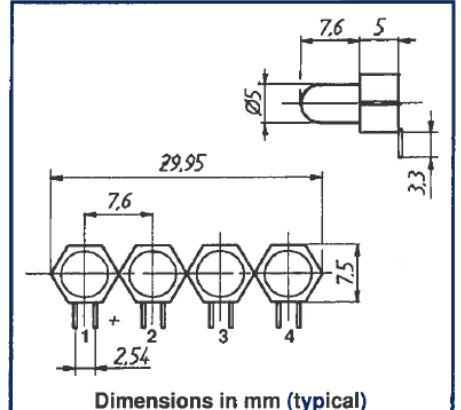
# PLASTIC HOLDER, SEPARABLE ARRANGEABLE IN ROWS



## SERIES KSA 5005

Ø 5 mm LED

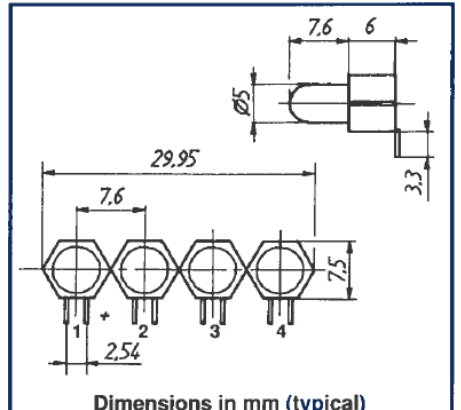
TYPE (4 LEDs)	EMITTED COLOUR	LUMINOUS INTENSITY			FULL VIEWING ANGLE	FORWARD VOLTAGE (IF=20 mA)		OPERATING TEMPERATURE	FORWARD CURRENT
		PEAK	TYP.	IF		TYP.	MAX		
KSA 5005 - R	RED	700	5	10	120	2,0	2,5	- 55 to + 100	25
KSA 5005 - Y	YELLOW	590	12,5	10	120	2,1	2,5		30
KSA 5005 - G	GREEN	565	12,5	10	120	2,2	2,5	- 55 to + 100	25
KSA 5005 - S	SUPER RED	625	20	10	120	2,0	2,5		30
KSA 5005 - B	RED/GREEN	625/565	12,5	20	100	2,0	2,5	- 55 to + 100	25
KSA 5005 - I	IPER RED	660	100	20	120	1,85	2,5		30
<b>LOW CURRENT</b>									
KSA 5005 - RL	RED	625	2	2	120	1,8	2,5	- 55 to + 100	7,5
KSA 5005 - YL	YELLOW	590	2	2	120	1,9	2,7		7,5
KSA 5005 - GL	GREEN	565	2	2	120	1,9	2,5	- 55 to + 100	7,5
KSA 5005 - IL	IPER RED	660	20	2	120	1,85	2,5		7,5
QUALITY TESTED 100%	DIFFUSED	nm	mcd	mA	DEGREE°	V	V	°C	mA



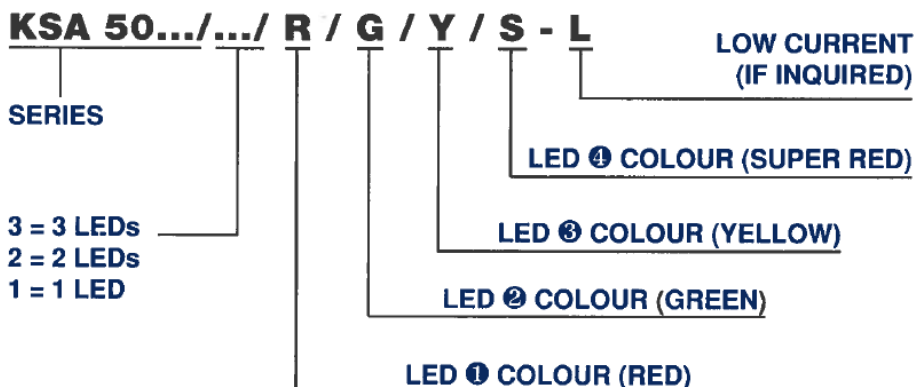
## SERIES KSA 5006

Ø 5 mm LED

TYPE (4 LEDs)	EMITTED COLOUR	LUMINOUS INTENSITY			FULL VIEWING ANGLE	FORWARD VOLTAGE (IF=20 mA)		OPERATING TEMPERATURE	FORWARD CURRENT
		PEAK	TYP.	IF		TYP.	MAX		
KSA 5006 - R	RED	700	5	10	120	2,0	2,5	- 55 to + 100	25
KSA 5006 - Y	YELLOW	590	12,5	10	120	2,1	2,5		30
KSA 5006 - G	GREEN	565	12,5	10	120	2,2	2,5	- 55 to + 100	25
KSA 5006 - S	SUPER RED	625	20	10	120	2,0	2,5		30
KSA 5006 - B	RED/GREEN	625/565	12,5	20	100	2,0	2,5	- 55 to + 100	25
KSA 5006 - I	IPER RED	660	100	20	120	1,85	2,5		30
<b>LOW CURRENT</b>									
KSA 5006 - RL	RED	625	2	2	120	1,8	2,5	- 55 to + 100	7,5
KSA 5006 - YL	YELLOW	590	2	2	120	1,9	2,7		7,5
KSA 5006 - GL	GREEN	565	2	2	120	1,9	2,5	- 55 to + 100	7,5
KSA 5006 - IL	IPER RED	660	20	2	120	1,85	2,5		7,5
QUALITY TESTED 100%	DIFFUSED	nm	mcd	mA	DEGREE°	V	V	°C	mA



### PART NUMBERS EXAMPLES MULTICOLOURED AND NUMBER OF LED:



MULTICOLOURED: indicate colours from left to right - see drawing

### MATERIAL SPECIFICATION

- ☞ HOUSING: BLACK NORLYL, UL94 V-0
- ☞ SOLDERING TEMPERATURE: 260°C ≤ 6 sec.
- ☞ FLAMABILITY: UL 94 V-0 and acc. VDE 0304 part3
- ☞ CLIMATE: DIN 40040
- ☞ TERMINATIONS: □ 0,5 mm leads
- ☞ Mean Time Between Failure:
  - standard 100.000 hours
  - low current 250.000 hours

### OPTIONS AVAILABLE

- ☞ 5 V & 12 V INTEGRATED RESISTOR
- ☞ BICOLOUR/TRICOLOUR & BIPOLAR
- ☞ BLUE OR WHITE LEDs
- ☞ ULTRABRIGHT - INFRARED & PHOTOTRANSISTORS
- ☞ LED CASE: WATER CLEAR - TRANSPARENT - WHITE
- ☞ FLAT TOP & BLINKING LEDs
- ☞ SPECIAL LEDs ON REQUEST
- ☞ STRAIGHT VERSION