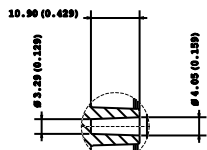
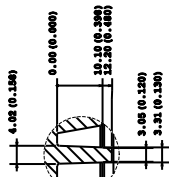


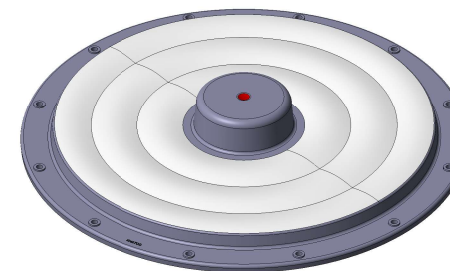
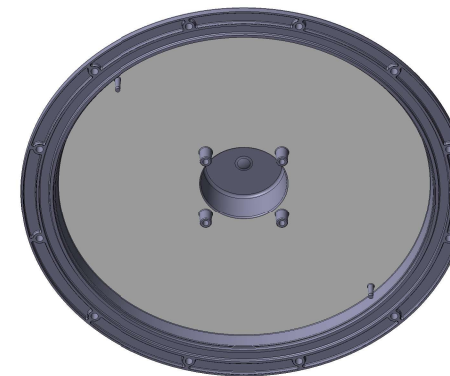
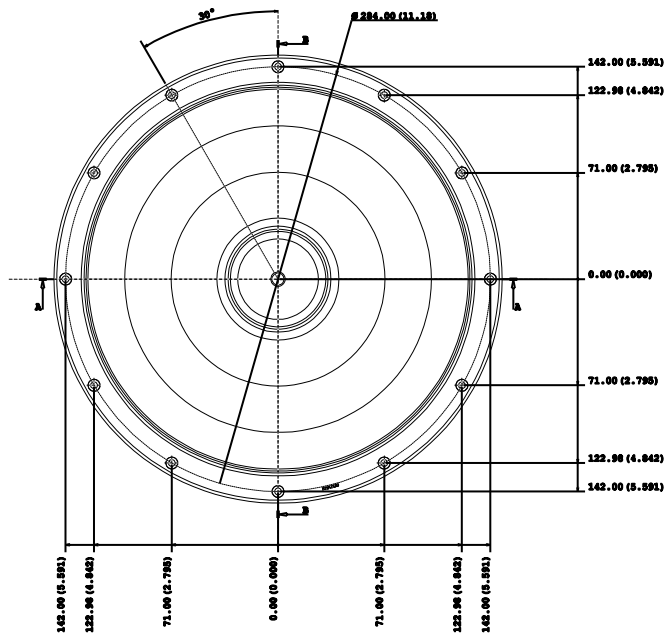
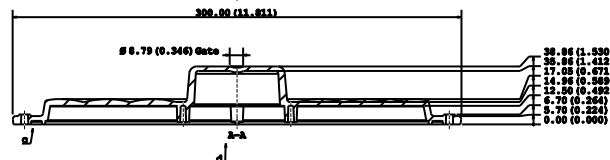
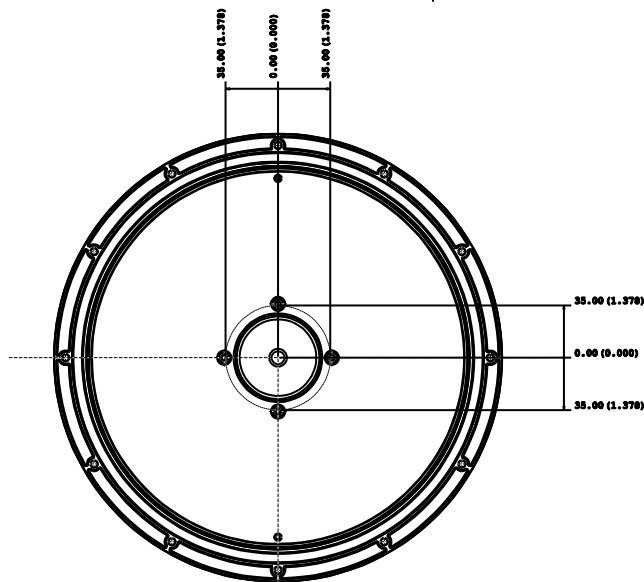
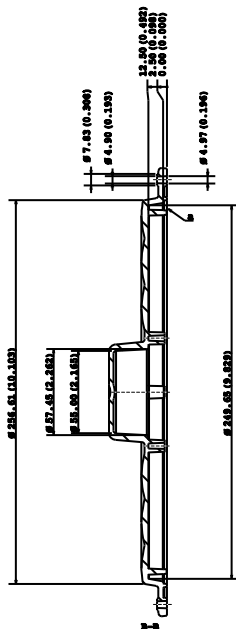
Detail A
Scale 5:1



Detail B
Scale 3:1



Detail C
Scale 3:1



Note:

- Dimensions in inches into brackets
- For missing dimensions see 3D files
- WHITE surfaces mirror polished
- GREY surfaces embossed 25/27 VDI
- RED gate material
- Planarity tolerance +/- 0.8 mm

" Project and design owned by Khatod OPTOELECTRONIC s. r. l."			
The technical solutions adopted in this design are Khatod intellectual property, they cannot be reproduced and transmitted to third parties without our prior written permission.			
Unauthorized disclosure of confidential proprietary information will be prosecuted by law.			
DESCRIPTION :	LENS	DESIGNER :	MT
CODE :	PLL2331 UW	PROJECTS :	PLL2331xx
Khatod Via Alessandrina, 25 Cusano Milanino MILANO ITALIA WWW.KHATOD.COM	All Dimensions in mm Tolerances in according with: ISO 2768 m	CHECKED :	IM
		CONTROLLED :	DP
HEAT TREATMENT:		DATA :	
None		12/04/2022	
SCALE :		MATERIAL:	
1 : 1		Pc Clear	
		SHEET :	
		1 of 1	