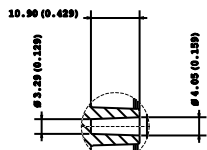
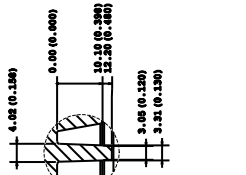


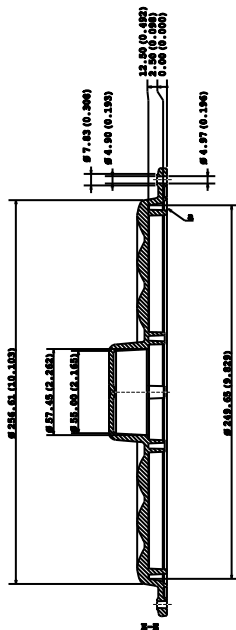
Detail A  
Scale 5:1



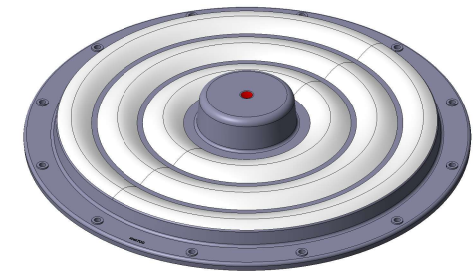
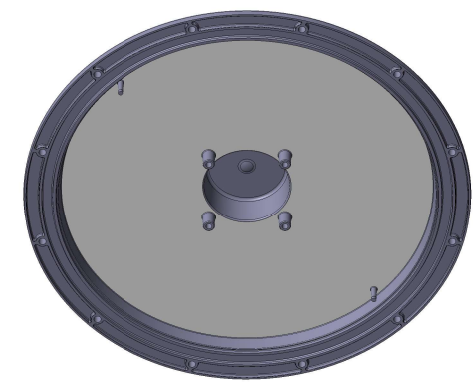
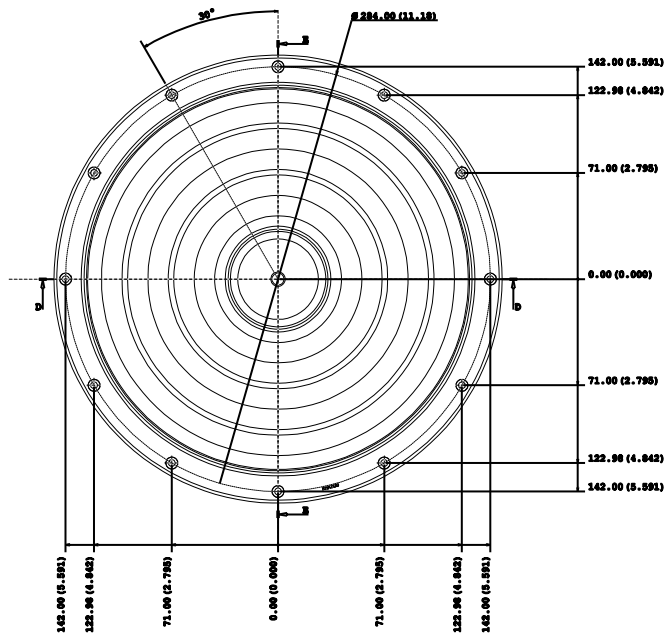
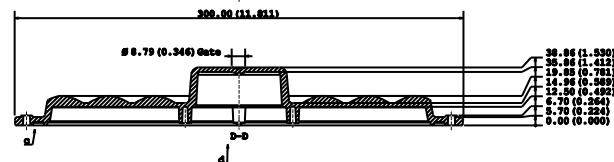
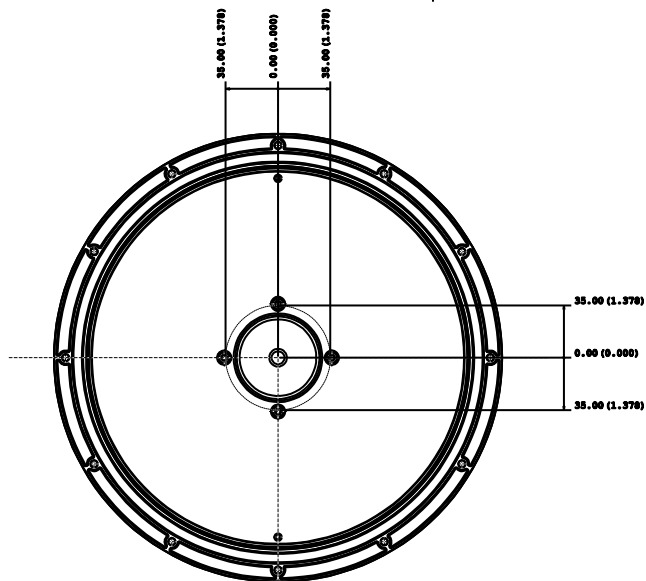
Detail B  
Scale 3:1



Detail C  
Scale 3:1



Detail D



Note:  
 - Dimensions in inches into brackets  
 - For missing dimensions see 3D files  
 WHITE surfaces mirror polished  
 RED gate material  
 Planarity tolerance +/- 0.8 mm

" Project and design owned by Khatod OPTOELECTRONIC s. r. l." The technical solutions adopted in this design are Khatod intellectual property, they cannot be reproduced and transmitted to third parties without our prior written permission. Unauthorized disclosure of confidential proprietary information will be prosecuted by law.			
DESCRIPTION :	<b>LENS</b>	DESIGNER :	MT
PROJECTS :			PLL2331xx
CODE :	<b>PLL2331 EW</b>	CHECKED :	IM
		CONTROLLED :	DP
		DATA :	14/04/2022
Khatod Via Alessandrina, 25 Cusano Milanino MILANO ITALIA WWW.KHATOD.COM	All Dimensions in mm Tolerances in according with: ISO 2768 m	HEAT TREATMENT:	MATERIAL:
		None	Pc Clear
		SCALE :	SHEET :
		1 : 1	1 of 1