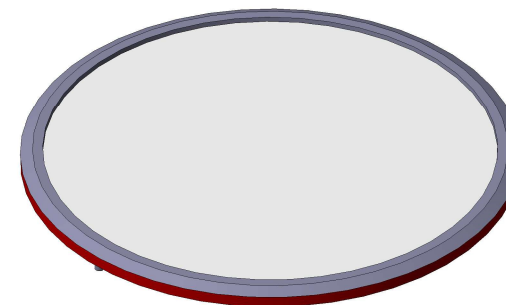
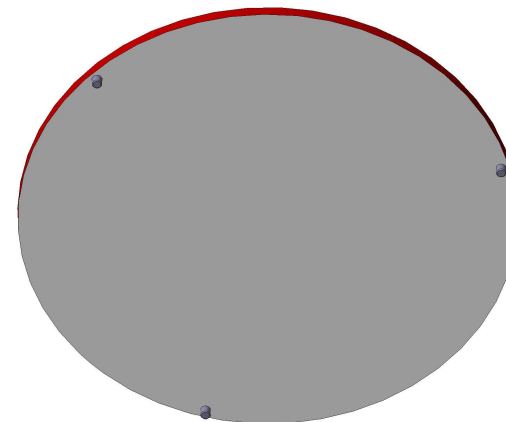
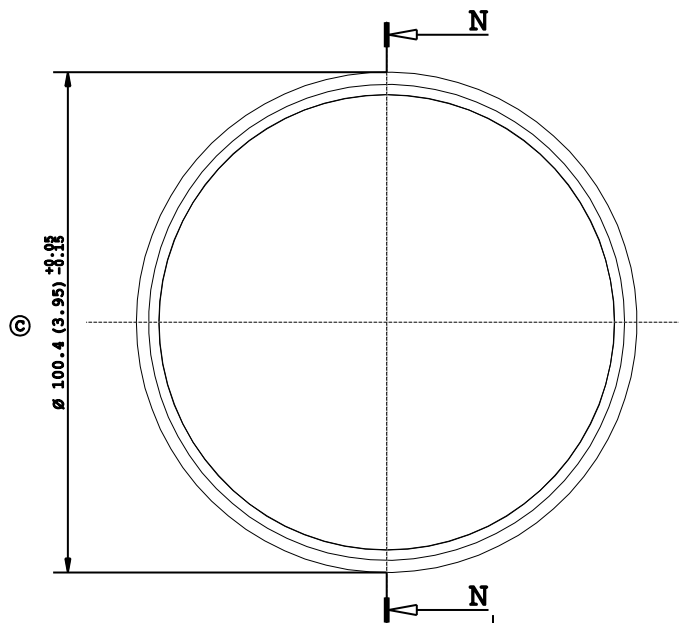
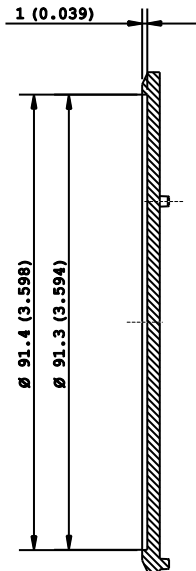
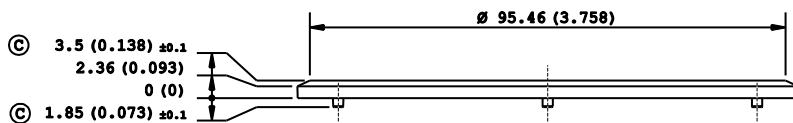
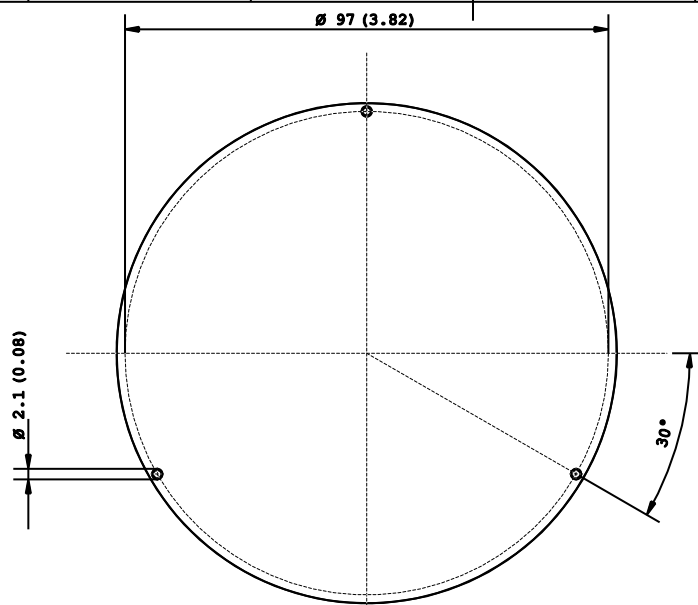


Note:
 - Dimensions in inches into brackets
 - For missing dimensions see 3D file
 - WHITE surfaces mirror polished
 - GREY surfaces embossed 27/29 VDI
 - RED surface area available for gate material
 - Sink mark injection will be present
 © = Quality Control Dimensions (QCD)



<p>" Project and design owned by Khatod OPTOELECTRONIC s. r. l." The technical solutions adopted in this design are Khatod intellectual property, they cannot be reproduced and transmitted to third parties without our prior written permission. Unauthorized disclosure of confidential proprietary information will be prosecuted by law.</p>			
DESCRIPTION :		DESIGNER :	PROJECTS :
Interchangeable optic		LM	eASY
CODE :	PLL 2071 NA	CHECKED :	CONTROLLED:
		LM	LM/GV
		DATA : 29/05/2017	
KHATOD Via Alessandrina,25 Cusano Milanino MILANO ITALIA WWW.KHATOD.COM	All Dimensions in mm	HEAT TREATMENT:	
	General Tolerances +/-0.25 mm	None	
		SCALE :	MATERIAL:
		1 : 1	PMMA 8N
			SHEET :
			1 of 1