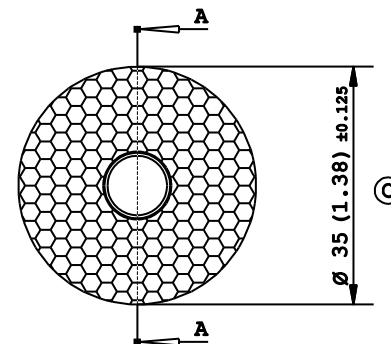
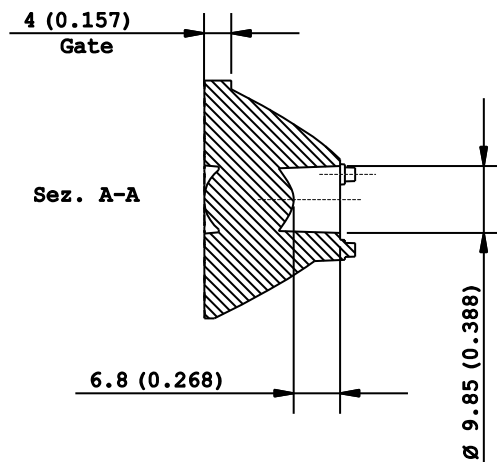
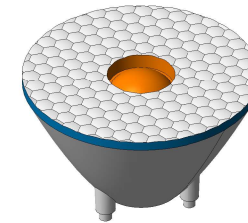
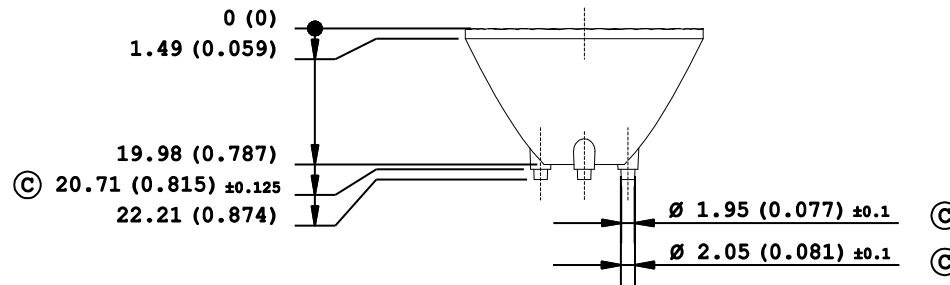
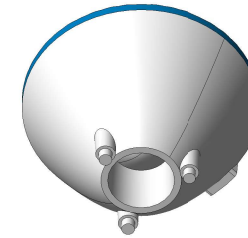
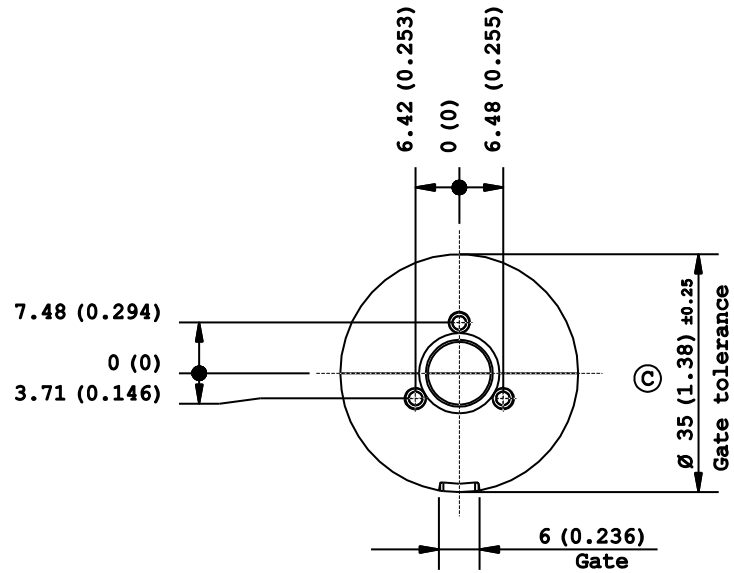


**Note:**

- Dimensions in inches into brackets
- For missing dimensions see 3D file
- WHITE surfaces mirror polished
- BLUE surfaces embossed 25/27 VDI
- ORANGE surfaces embossed 15/17 VDI
- Ⓢ = Quality Control Dimension (QCD)
- In date 03/12/2020:
- Changed gate cutting tolerance



<p>" Project and design owned by Khatod OPTOELECTRONIC s. r. l."</p> <p>The technical solutions adopted in this design are Khatod intellectual property, they cannot be reproduced and transmitted to third parties without our prior written permission.</p> <p>Unauthorized disclosure of confidential proprietary information will be prosecuted by law.</p>			
DESCRIPTION : LENS		DESIGNER : LM/DP	PROJECTS : 544_1672
CODE : PL 1672 NA	CHECKED : DP	CONTROLLED : DP	DATA : 24/10/2017 03/12/2020
<b>KHATOD</b> Via Alessandrina,25 Cusano Milanino MILANO ITALIA WWW.KHATOD.COM	All Dimensions in mm General Tolerances +/-0.20 mm		HEAT TREATMENT: None
			MATERIAL: Pmma 8N
SCALE : 1 : 1			SHEET : 1 of 1