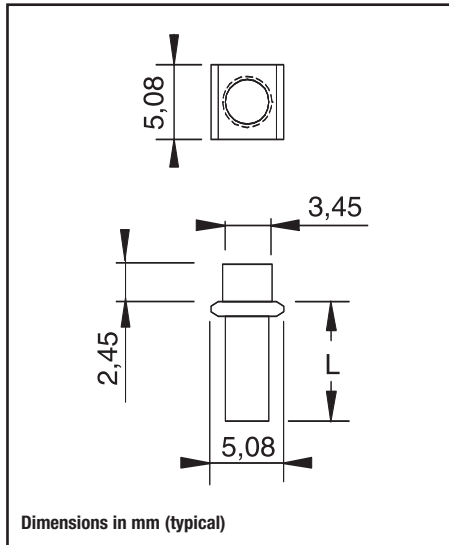




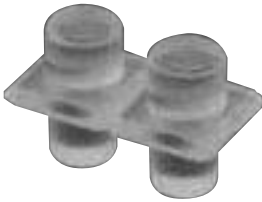
Material: PC Optics UL94 clear  
Operating Temperature -60° +125°C  
ESD Protection



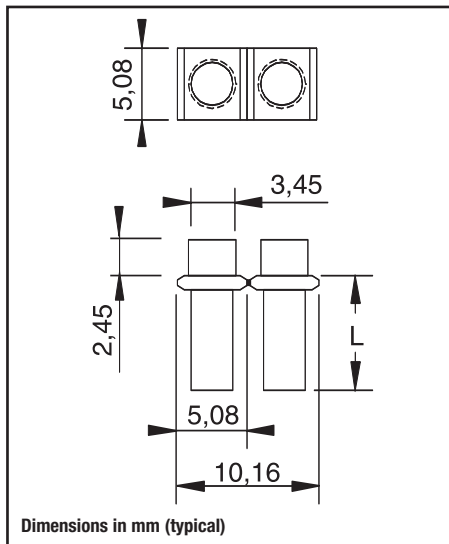
**KT01 series**

Code	Length (L)
KT01-02	2 mm
KT01-04	4 mm
KT01-054	5,4 mm
KT01-06	6 mm
KT01-075	7,5 mm
KT01-085	8,5 mm
KT01-10	10 mm
KT01-13	13 mm
KT01-15	15 mm
KT01-17	17 mm
KT01-20	20 mm
KT01-25	25 mm
KT01-30	30 mm
KT01-37	37,9 mm
KT01-40	40 mm
KT01-45	45 mm
KT01-47	47,5 mm
KT01-50	50 mm
Your length	L = .....

Hole: 3,40 mm Panel: 2,45 mm



Material: PC Optics UL94 clear  
Operating Temperature -60° +125°C  
ESD Protection



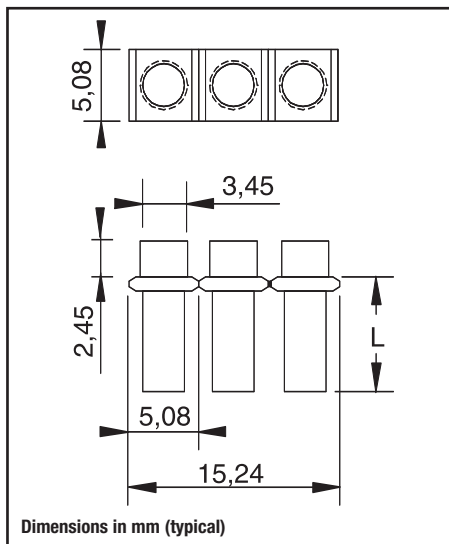
**KT02 series**

Code	Length (L)
KT02-02	2 mm
KT02-04	4 mm
KT02-054	5,4 mm
KT02-06	6 mm
KT02-075	7,5 mm
KT02-085	8,5 mm
KT02-10	10 mm
KT02-13	13 mm
KT02-15	15 mm
KT02-17	17 mm
KT02-20	20 mm
KT02-25	25 mm
KT02-30	30 mm
KT02-37	37,9 mm
KT02-40	40 mm
KT02-45	45 mm
KT02-47	47,5 mm
KT02-50	50 mm
Your length	L = ... ..

Hole: 3,40 mm Panel: 2,45 mm



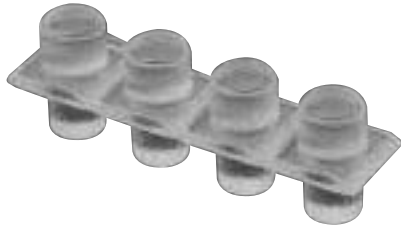
Material: PC Optics UL94 clear  
Operating Temperature -60° +125°C  
ESD Protection



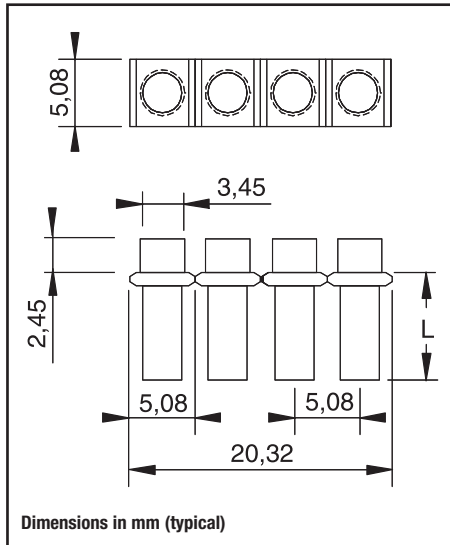
**KT03 series**

Code	Length (L)
KT03-02	2 mm
KT03-04	4 mm
KT03-054	5,4 mm
KT03-06	6 mm
KT03-075	7,5 mm
KT03-085	8,5 mm
KT03-10	10 mm
KT03-13	13 mm
KT03-15	15 mm
KT03-17	17 mm
KT03-20	20 mm
KT03-25	25 mm
KT03-30	30 mm
KT03-37	37,9 mm
KT03-40	40 mm
KT03-45	45 mm
KT03-47	47,5 mm
KT03-50	50 mm
Your length	L = ... ..

Hole: 3,40 mm Panel: 2,45 mm



Material: PC Optics UL94 clear  
Operating Temperature -60° +125°C  
ESD Protection



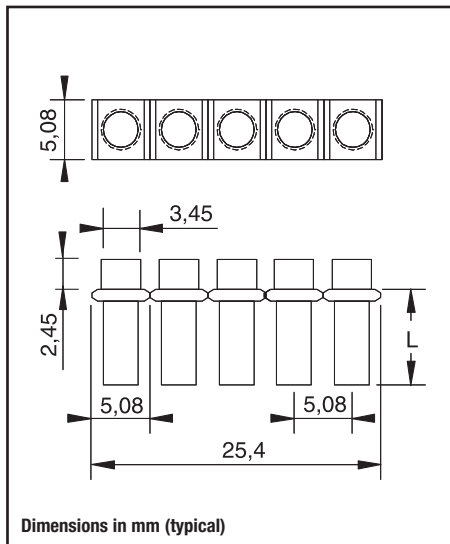
**KT04 series**

Code	Length (L)
KT04-02	2 mm
KT04-04	4 mm
KT04-054	5,4 mm
KT04-06	6 mm
KT04-075	7,5 mm
KT04-085	8,5 mm
KT04-10	10 mm
KT04-13	13 mm
KT04-15	15 mm

Hole: 3,40 mm Panel: 2,45 mm



Material: PC Optics UL94 clear  
Operating Temperature -60° +125°C  
ESD Protection



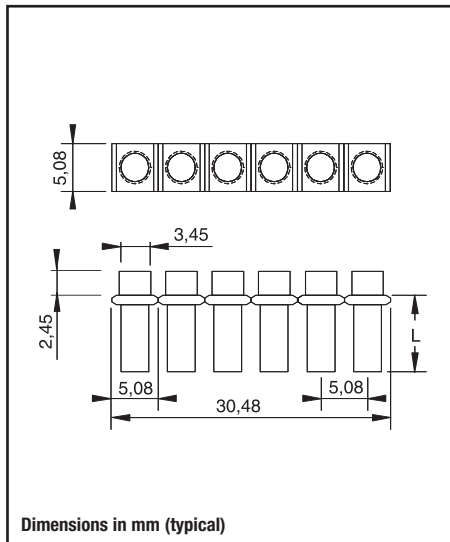
**KT05 series**

Code	Length (L)
KT05-02	2 mm
KT05-04	4 mm
KT05-054	5,4 mm
KT05-06	6 mm
KT05-075	7,5 mm
KT05-085	8,5 mm
KT05-10	10 mm
KT05-13	13 mm
KT05-15	15 mm

Hole: 3,40 mm Panel: 2,45 mm



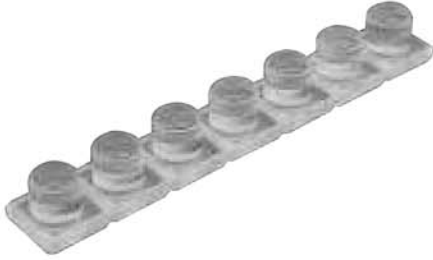
Material: PC Optics UL94 clear  
Operating Temperature -60° +125°C  
ESD Protection



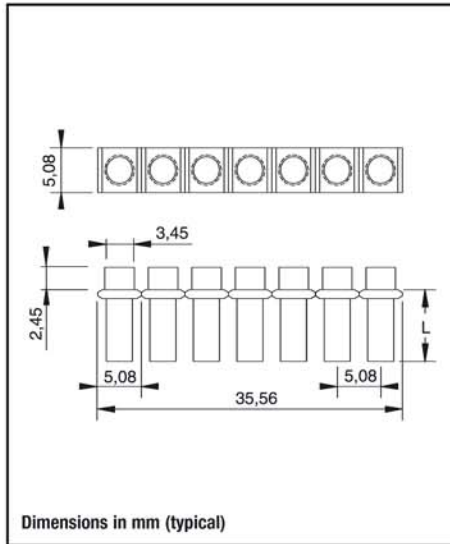
**KT06 series**

Code	Length (L)
KT06-02	2 mm
KT06-04	4 mm
KT06-054	5,4 mm
KT06-06	6 mm
KT06-075	7,5 mm
KT06-085	8,5 mm
KT06-10	10 mm
KT06-13	13 mm
KT06-15	15 mm

Hole: 3,40 mm Panel: 2,45 mm



Material: PC Optics UL94 clear  
Operating Temperature -60° +125°C  
ESD Protection



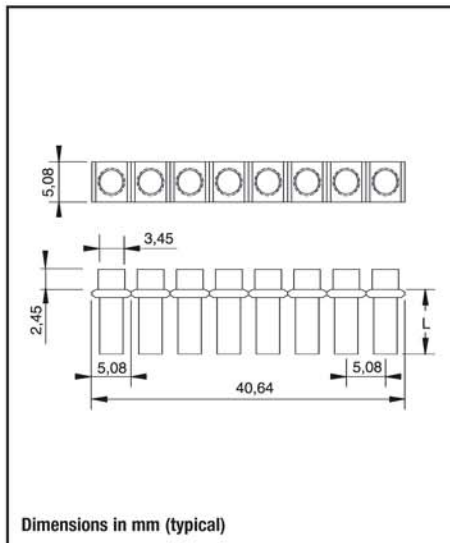
**KT07 series**

Code	Length (L)
KT07-02	2 mm
KT07-04	4 mm
KT07-054	5,4 mm
KT07-06	6 mm
KT07-075	7,5 mm
KT07-085	8,5 mm
KT07-10	10 mm
KT07-13	13 mm
KT07-15	15 mm

Hole: 3,40 mm  Panel: 2,45 mm



Material: PC Optics UL94 clear  
Operating Temperature -60° +125°C  
ESD Protection



**KT08 series**

Code	Length (L)
KT08-02	2 mm
KT08-04	4 mm
KT08-054	5,4 mm
KT08-06	6 mm
KT08-075	7,5 mm
KT08-085	8,5 mm
KT08-10	10 mm
KT08-13	13 mm
KT08-15	15 mm

Hole: 3,40 mm  Panel: 2,45 mm