

**Make up your code**

**KSP**

Series

**X**

1 = concave  
2 = convex

**05**

LED diameter

**XXX**

LED color

**XX**

Operating Voltage

02\*  
05  
12  
24  
48

**XXX**

Cable length \*\*  
(Standard 200 mm)

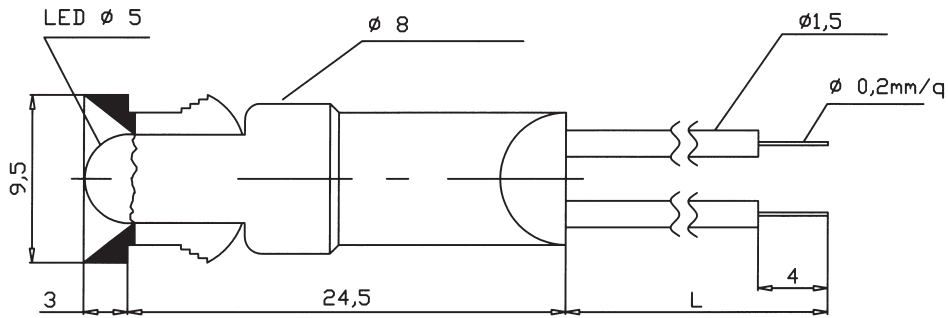
\* not available for BLUE and WHITE

\*\* without cable = Z

LED Code	Material	Wave length (nm) Color	Lens Type	Iv (mcd) @ 20mA		Viewing Angle 2θ
				Min	Typ	
B01	GaP	700/Red	Red Diffused	40	80	120°
B02	GaP	565/Green	Green Diffused	35	70	120°
B03	GaAsP/GaP	590/Yellow	Yellow Diffused	35	70	120°
B04	GaAsP/GaP	625/Red	Red Transparent	80	120	60°
B05	GaP	565/Green	Green Transparent	70	100	60°
B06	GaAsP/GaP	590/Yellow	Yellow Transparent	70	100	60°
B07	GaAsP/GaP	625/Orange	Orange Diffused	40	80	120°
B08	GaN	430/Blue	Blue Diffused	40	80	120°
B09	Gan	X=0.40 Y=0.43 White	White Diffused	120	200	60°
B10	GaAsP/GaP	625/Red	White Diffused	20	60	120°
Bicolor	Gap	565/Green		20	50	

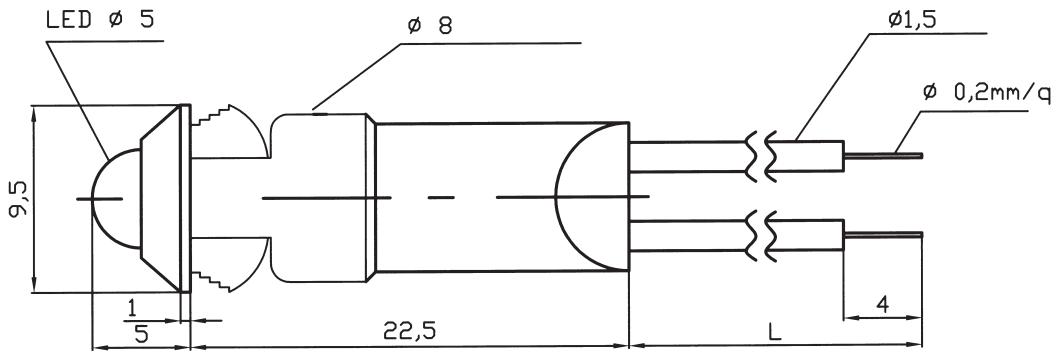
**Concave = 1**

Dimensions in mm (typical)



**Convex = 2**

Dimensions in mm (typical)



**OPTIONS AVAILABLE**

- ◆ Special LED on request
- ◆ Ultrabright form 330 to 7000mcd
- ◆ Bicolor – Tricolor and Full color
- ◆ Different shape
- ◆ Waterproof IP66/67 on request
- ◆ Different operating voltage
- ◆ Customized version on request
- ◆ Blinking LEDs
- ◆ Different color cable (standard + red / - Black)
- ◆ Led case: transparent and water clear
- ◆ Flat top
- ◆ Bicolor tripolar
- ◆ Infrared