

Make up your code

KSP

Series

X

1 = concave

10

LED diameter

X

LED Color

XX

Operating Voltage

02

05

12

24

48

XXX

Cable length**

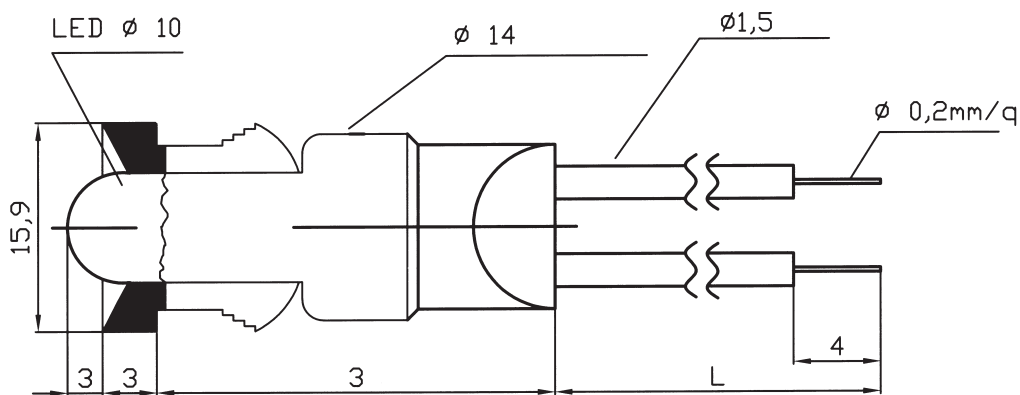
(Standard 200 mm)

** without cable = Z

LED Code	Material	Wave length (nm) Color	Lens Type	Iv (mcd) @ 20mA		Viewing Angle 2θ
				Min	Typ	
D1	GaAsP/GaP	625/Red	Red Diffused	40	110	40°
D2	GaP	570/Green	Green Diffused	40	110	40°
D3	GaAsP/GaP	590/Yellow	Yellow Diffused	40	110	40°

Concave = 1

Dimensions in mm (typical)



OPTIONS AVAILABLE

- ◆ Special LED on request
- ◆ Ultrabright from 330 to 7000 mcd
- ◆ Bicolor – Tricolor and Full color
- ◆ Different shape
- ◆ Waterproof IP66/67 on request

- ◆ Different operating voltage
- ◆ Customized version on request
- ◆ Blinking LEDs
- ◆ Different color cable (standard + red / - Black)

- ◆ LED case: transparent and water clear
- ◆ Flat top
- ◆ Bicolor tripolar
- ◆ Infrared