

Make up your code

KSE	X	05	XXX	XX	XXX
Series	2 = convex	LED diameter	LED color	Operating Voltage 02* 05 12 24 48	Cable length** (Standard 200 mm)

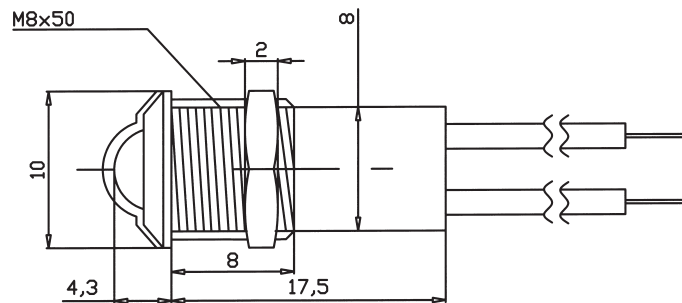
* not available for BLUE and WHITE

** without cable = Z

LED Code	Material	Wave length (nm) Color	Lens Type	Iv (mcd) @ 20mA		Viewing Angle 2θ
				Min	Typ	
B01	GaP	700/Red	Red Diffused	40	80	120°
B02	GaP	565/Green	Green Diffused	35	70	120°
B03	GaAsP/GaP	590/Yellow	Yellow Diffused	35	70	120°
B04	GaAsP/GaP	625/Red	Red Transparent	80	120	60°
B05	GaP	565/Green	Green Transparent	70	100	60°
B06	GaAsP/GaP	590/Yellow	Yellow Transparent	70	100	60°
B07	GaAsP/GaP	625/Orange	Orange Diffused	40	80	120°
B08	GaN	430/Blue	Blue Diffused	40	80	120°
B09	Gan	X=0.40 Y=0.43 White	White Diffused	120	200	60°
B10	GaAsP/GaP	625/Red	White Diffused	20	60	120°
Bicolor	Gap	565/Green		20	50	

Convex = 2

Dimensions in mm (typical)



OPTIONS AVAILABLE

- ◆ Special LED on request
- ◆ Ultrabright from 330 to 3000 mcd
- ◆ Bicolor-Tricolor and Full color
- ◆ Blinking LEDs
- ◆ Waterproof IP66/67 on request
- ◆ Low Power < 0,9 W
- ◆ Customized version on request
- ◆ Different shape