

**Make up your code**

<b>KS</b>	<b>X</b>	<b>20</b>	<b>X</b>	<b>XXX</b>	<b>XX</b>	<b>XXX</b>
Series	1 = concave 2 = convex 3 = plane	LED diameter	<b>N</b> = Natural chrome finish <b>B</b> = Black chrome finish	LED code	Operating Voltage 02* 05 12 24 48	Cable length** (Standard 200 mm)

\* not available for BLUE and WHITE

\*\* without cable = Z

LED Code	Material	Wave length (nm) Color	Lens Type	Iv (mcd) @ 20mA		Viewing Angle 2θ
				Min	Typ	
E01	GaAsP/GaP	625/Red	Red Diffused	10	45	120°
E02	GaP	565/Green	Green Diffused	8	40	120°
E03	GaAsP/GaP	590/Yellow	Yellow Diffused	6	30	120°
E04	GaAsP/GaP	625/Orange	Orange Diffused	10	45	120°

All models listed in this page are referred to the SUPER-STANDARD series only.

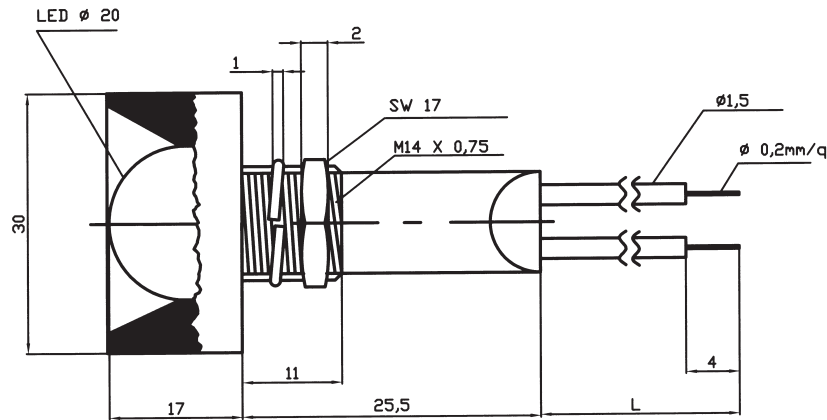
We can supply you with custom devices in a short time and at competitive prices as follows:

- ◆ 3.000 to 10.000 pcs by no. 4CNC lathes
- ◆ More than 10.000 pcs by no. 30 lathes with sliding headstock.

Therefore on your request we can realize any device on the grounds of your drawing with any material: metal & plastic.

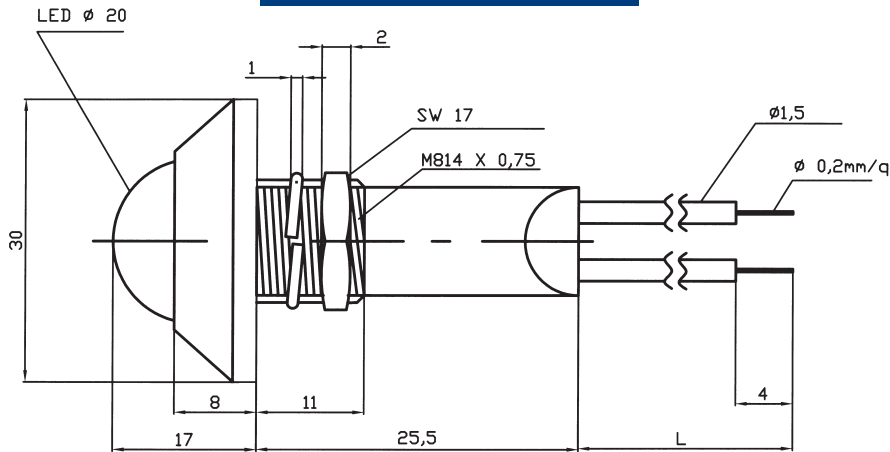
**Concave = 1**

Dimensions in mm (typical)



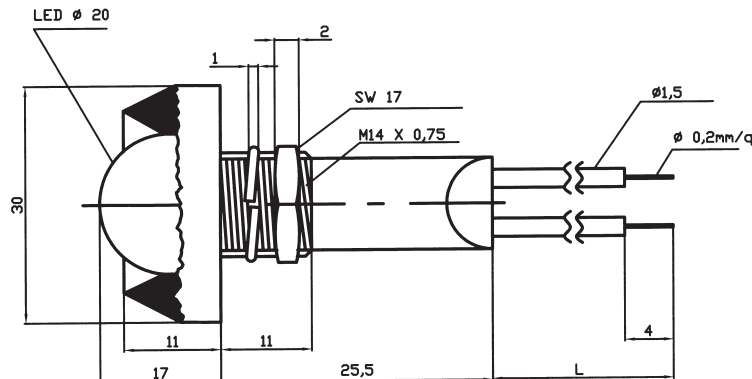
**Convex = 2**

Dimensions in mm (typical)



**Plane = 3**

Dimensions in mm (typical)



**OPTIONS AVAILABLE**

- ◆ Special LED on request
- ◆ Ultrabright from 330 to 3000 mcd
- ◆ Bicolor-Tricolor and Full color
- ◆ Blinking LEDs

- ◆ Waterproof IP66/67 on request
- ◆ Low Power < 0,9 W
- ◆ Customized version on request
- ◆ Different shape

- ◆ Body: standard material brass CW614N.  
On request: Aluminium AL116, Still AWP  
9SMnPb28/36, Teflon PTFE, Delrin, CuTe