

Make up your code

KS	X	10	X	XXX	XX	XXX
Series	1 = concave 2 = convex 3 = plane	LED diameter	N = Natural chrome finish B = Black chrome finish	LED cod	Operating Voltage 02* 05 12 24 48	Cable length** (Standard 200 mm)

* not available for BLUE and WHITE

** without cable = Z

LED Code	Material	Wave length (nm Color)	Lens Type	Iv (mcd) @ 20mA		Viewing Angle 2θ
				Min	Typ	
D1	GaAsP/GaP	625/Red	Red Diffused	40	110	40°
D2	GaP	570/Green	Green Diffused	40	110	40°
D3	GaAsP/GaP	590/Yellow	Yellow Diffused	40	110	40°
D4	GaAsP/GaP	625/Red	White Diffused	40	80	100°
Bicolor	GaP	565/Green		40	80	

All models listed in this page are referred to the SUPER-STANDARD series only.

We can supply you with custom devices in a short time and at competitive prices as follows:

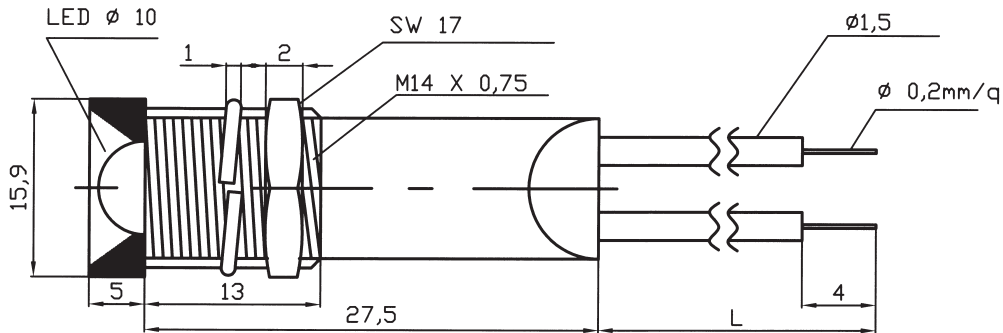
◆ 3.000 to 10.000 pcs by no. 4CNC lathes

◆ More than 10.000 pcs by no. 30 lathes with sliding headstock.

Therefore on your request we can realize any device on the grounds of your drawing with any material: metal & plastic.

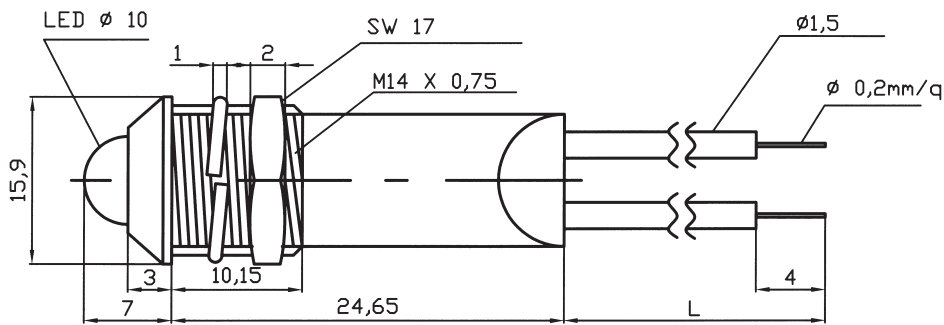
Concave = 1

Dimensions in mm (typical)



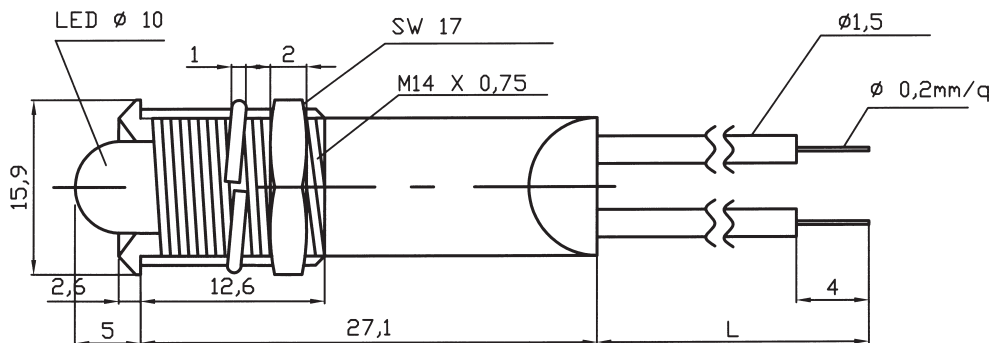
Convex = 2

Dimensions in mm (typical)



Plane = 3

Dimensions in mm (typical)



OPTIONS AVAILABLE

- ◆ Special LED on request
- ◆ Ultrabright from 330 to 3000 mcd
- ◆ Bicolor-Tricolor and Full color
- ◆ Blinking LEDs

- ◆ Waterproof IP66/67 on request
- ◆ Low Power < 0,9 W
- ◆ Customized version on request
- ◆ Different shape

- ◆ Body: standard material brass CW614N.
On request: Aluminium AL116, Still AWP
9SMnPb28/36, Teflon PTFE, Delrin, CuTe