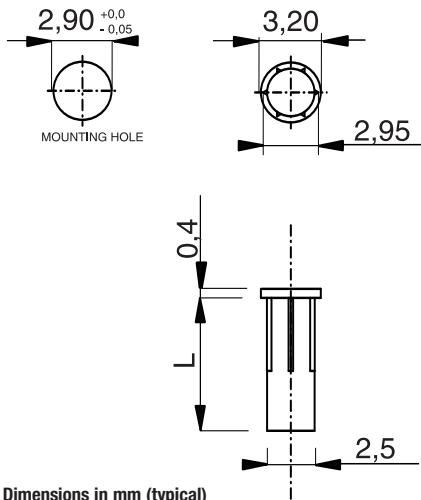


Light Guides for front panel diam. 3 mm



Dimensions in mm (typical)

Code	Length (L)
KPS163/048	4,8
KPS163/070	7,0
KPS163/233	23,3
KPS163/XXX	insert your length

Hole panel: 2,90 mm 

Panel Thickness: 3,80 mm max

OPTIONS AVAILABLE

- ◆ Different shapes and lengths
- ◆ Different fixing systems on Panel
- ◆ Special color on request.