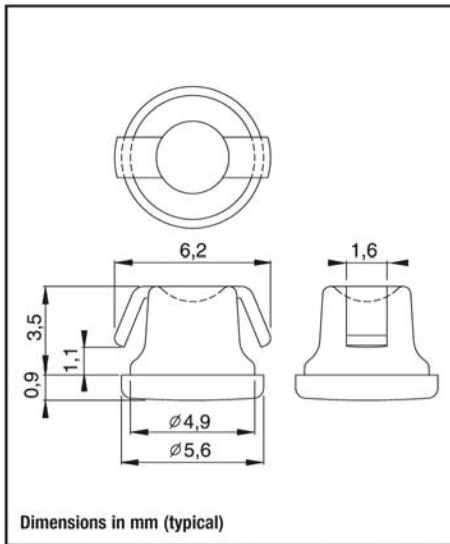


## KPAN061 series



**Code**

**Color**

**KPAN061C**

Clear Transparent

Hole panel: 4,90 mm 

Panel Thickness: 1,10 mm max

*Material: PC Optics UL94 clear*  
*Operating Temperature -60° +125°C*  
*ESD Protection*