

ORDERING CODE:

KNT - XXX - PX

IS THE SERIES	INSERT YOUR LENGTH OF SERIES KT	INSERT YOUR LED CODE: P...
---------------	---------------------------------	----------------------------

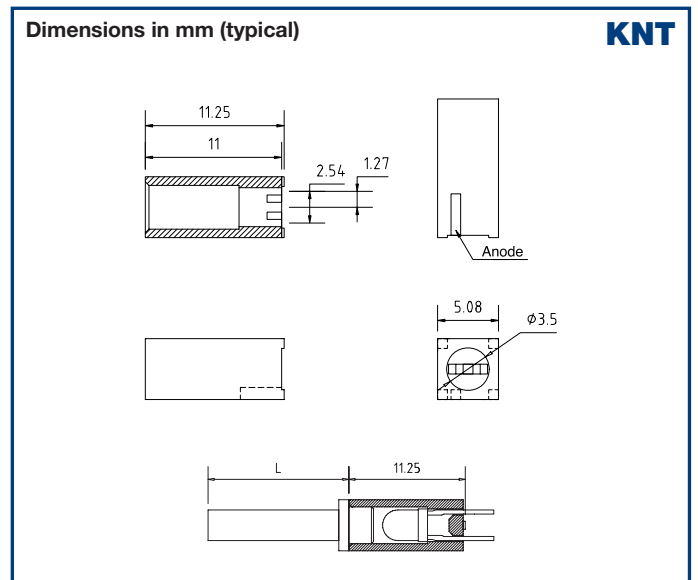
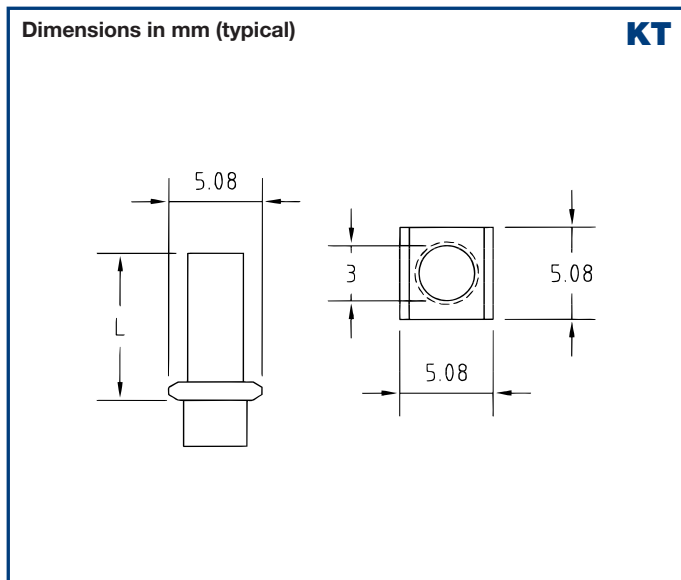
Type	Length
KT-02	L = 2 mm
KT-04	L = 4 mm
KT-054	L = 5,4 mm
KT-06	L = 6 mm
KT-075	L = 7,5 mm
KT-085	L = 8,5 mm
KT-10	L = 10 mm
KT-13	L = 13 mm
KT-15	L = 15 mm
KT-17	L = 17 mm
KT-20	L = 20 mm
KT-25	L = 25 mm
KT-30	L = 30 mm
KT-37	L = 37,9 mm
KT-40	L = 40 mm
KT-45	L = 45 mm
KT-47	L = 47,5 mm
KT-50	L = 50 mm
Your length	L =

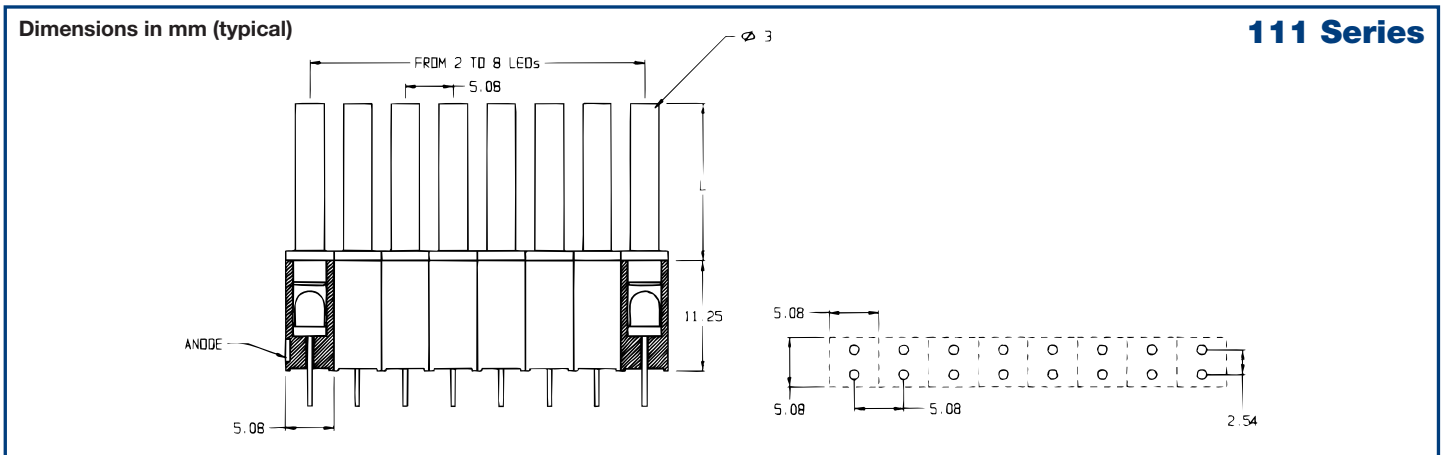
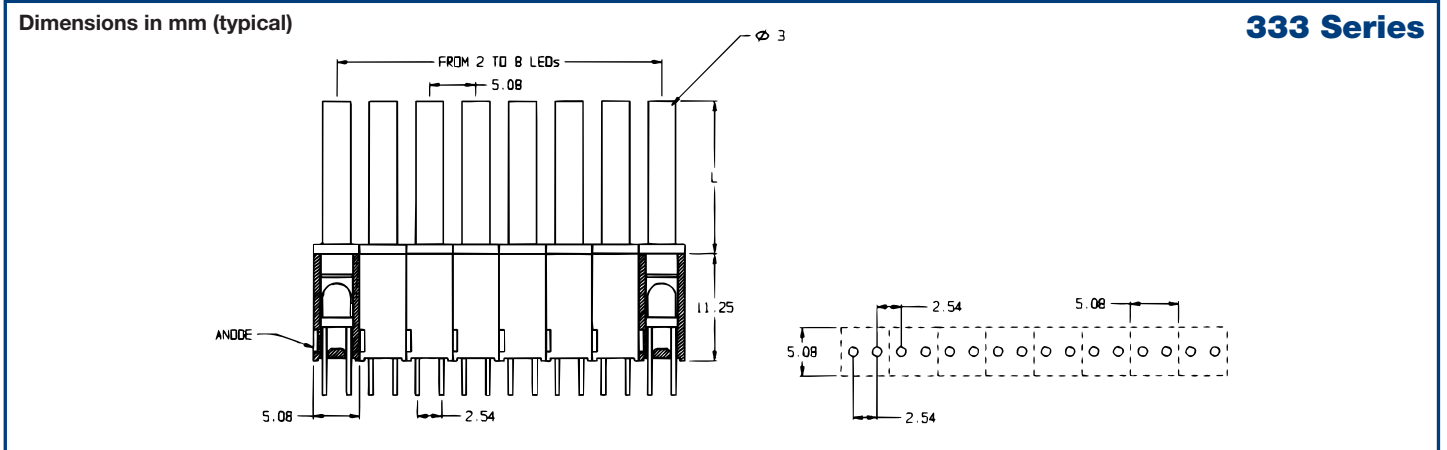
OPTIONS AVAILABLE

- Other standard lengths - from 1 to 50 mm
- Right angle
- Different shapes and lengths
- Low current (2 mA)
- Led from 10mcd to 3.000mcd
- 5V & 12V integrated resistor
- White LEDs
- Ultrabright-Infrared & Phototransistor
- Blinking LEDs
- Bicolor 3 Leads
- Special LEDs on request

HOLDER				
Type	Temperat. Range	Deflected Temp.	Flamability	Material
KNT	-60°C + 125°C	152°C	UL-94-V0	PA 6.6

LED					
IF 20mA					
Code	Size	Emited Color	mcd (TYP)	V (TYP)	Peak (nm)
P1	Ø3mm	Red	100	2.0	635
P2	Ø3mm	Green	100	2.2	568
P3	Ø3mm	Yellow	90	2.1	585
P4	Ø3mm	Bi-color red/green	30	2.2	635/568
P5	Ø3mm	Blue	60	5.1	430





ORDERING CODE:

KNT - **X** - **XXX** - **PX** - **XXX**

IS THE SERIES	NUMBER OF LEDS	INSERT YOUR LENGTH * OF SERIES KT	INSERT YOUR LED CODE: P...	TYPE OF MOUNTING: • 333 • 111
---------------	----------------	-----------------------------------	----------------------------	----------------------------------

MULTICOLOURED: INDICATE COLOURS FROM LEFT TO RIGHT IN P... RIGHT ANGLE: INDICATE **RA** (ONLY IN VERSION 333)

Number Leds	Length L (series KT)	*	Number Leds	Length L (series KT)
2	- 2 ÷ 50 mm		6	- 2 ÷ 15 mm
3	- 2 ÷ 50 mm		7	- 2 ÷ 15 mm
4	- 2 ÷ 15 mm		8	- 2 ÷ 15 mm
5	- 2 ÷ 15 mm		• SPECIAL LENGTH ON REQUEST	

One of many applications

