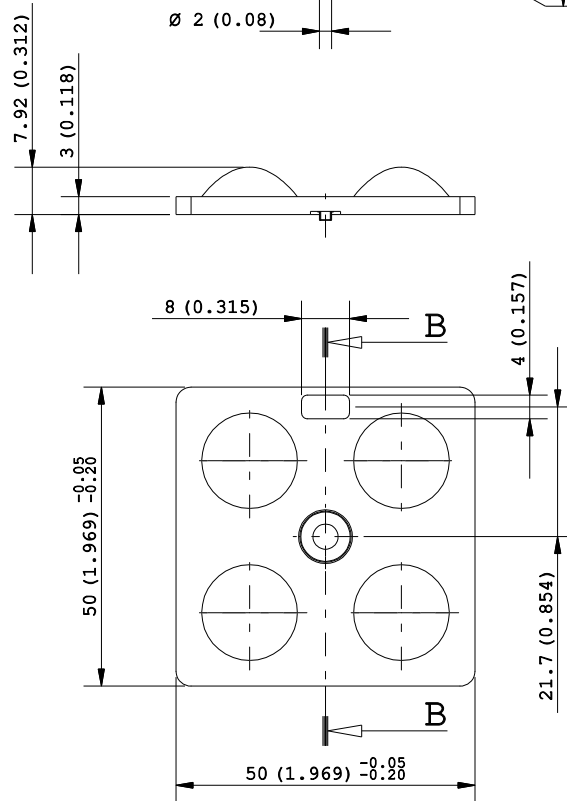
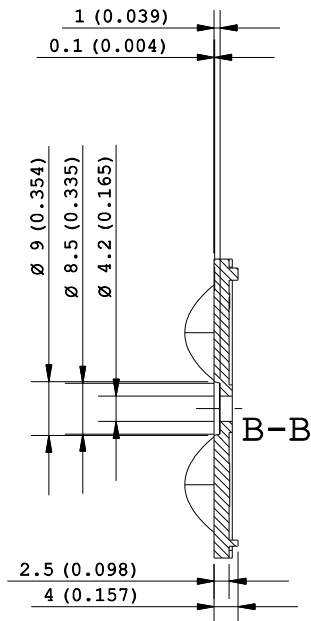
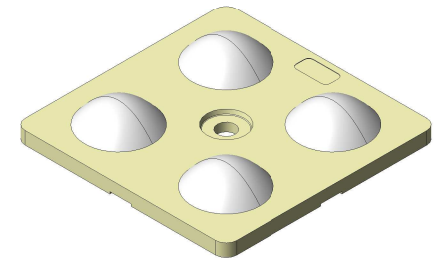
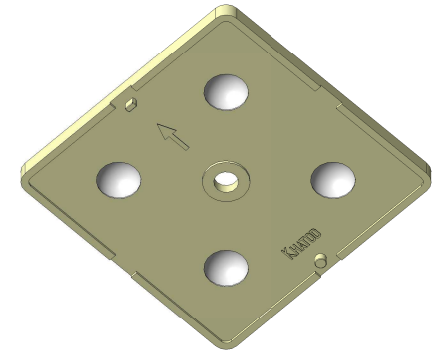
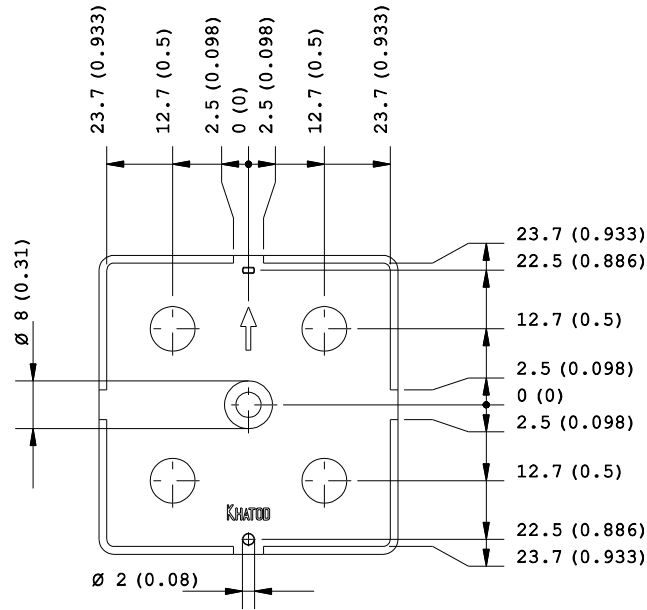
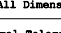
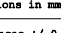


**Note:**

- Dimensions in inches into brackets
- For missing dimensions see 3D file
- WHITE surfaces have to be mirror polished
- YELLOW surfaces have to be finished by sandpaper 800



<p>'' Project and design owned by Khatod OPTOELECTRONIC s. r. l. ''                  The technical solutions adopted in this design are Khatod intellectual property, they cannot be reproduced and transmitted to third parties without our prior written permission.                  Unauthorized disclosure of confidential proprietary information will be prosecuted by law.</p>			
DESCRIPTION :		DESIGNER :	PROJECTS :
Lens Module 4 array		LM	527
CODE :	KNAC 0407 ASM	CHECKED :	CONTROLLED: DATA :
KCHATOD Via Monfalcone, 41 Cinisello Balsamo MILANO ITALIA WWW.KCHATOD.COM		LM/SB	GV/SB 02/01/2014
		HEAT TREATMENT:	
All Dimensions in mm		No One Optical PMMA	
General Tolerances +/-0.20 mm		SCALE :	SHEET :
 		1 : 1	1 of 1