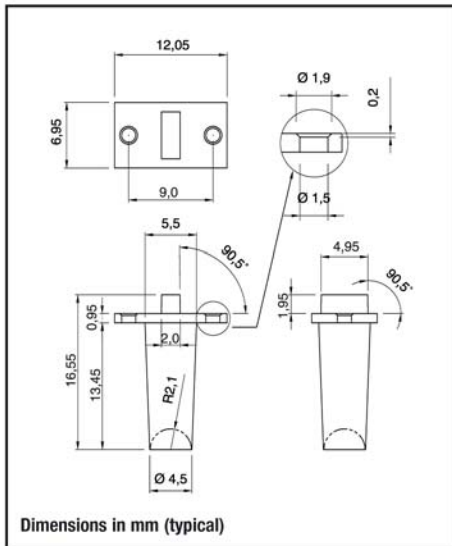




Material: PC Optics UL94 clear  
Operating Temperature -60° +125°C  
ESD Protection

**Protection**

The Lenses helps prevent IC failures caused by electrostatic discharge (ESD). The Lens mounted LED helps guard components from ESD up to 16Kv while affording the LED physical protection.

**Code****Color****KLP10**

Clear Transparent