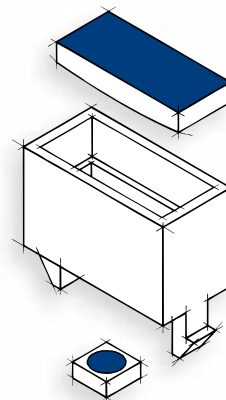
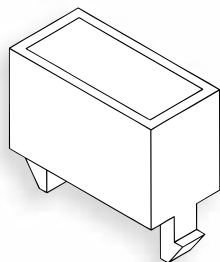


FEATURES

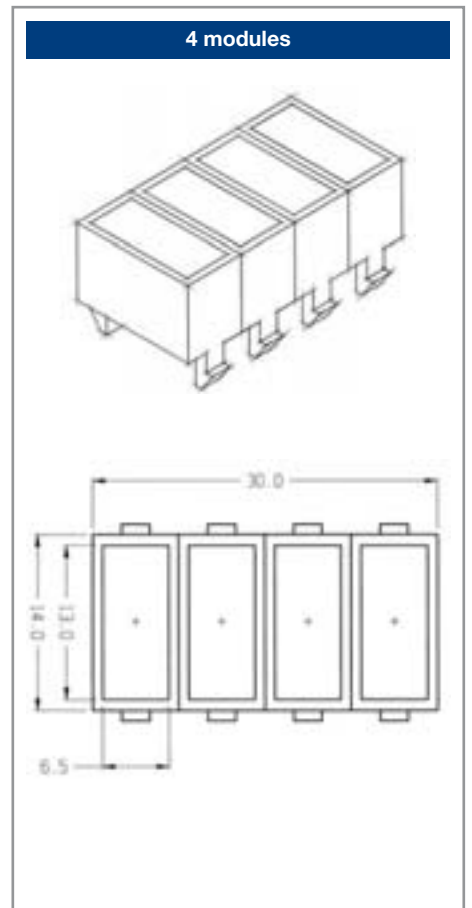
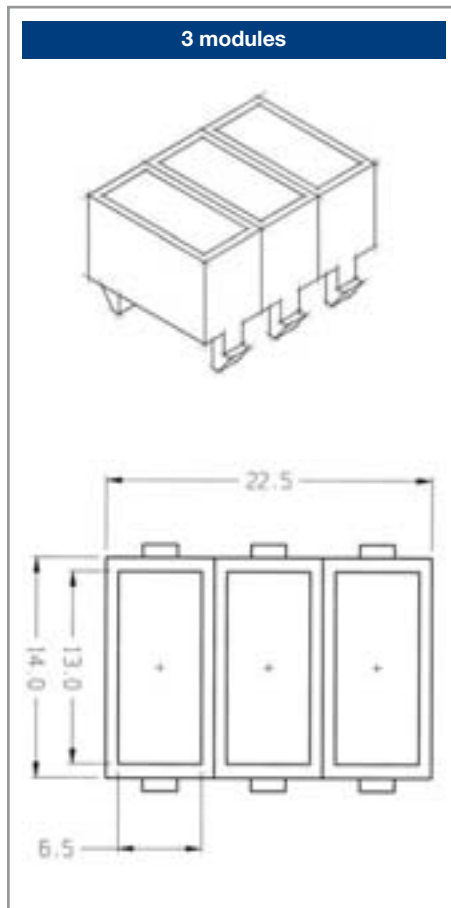
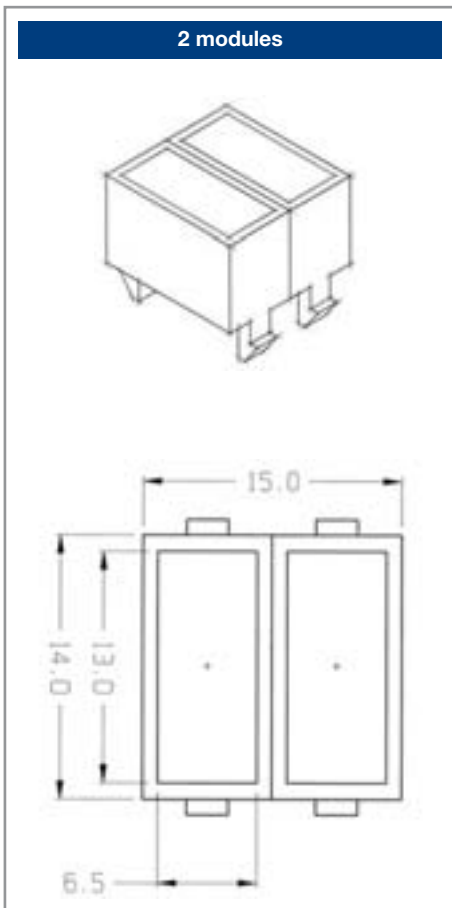
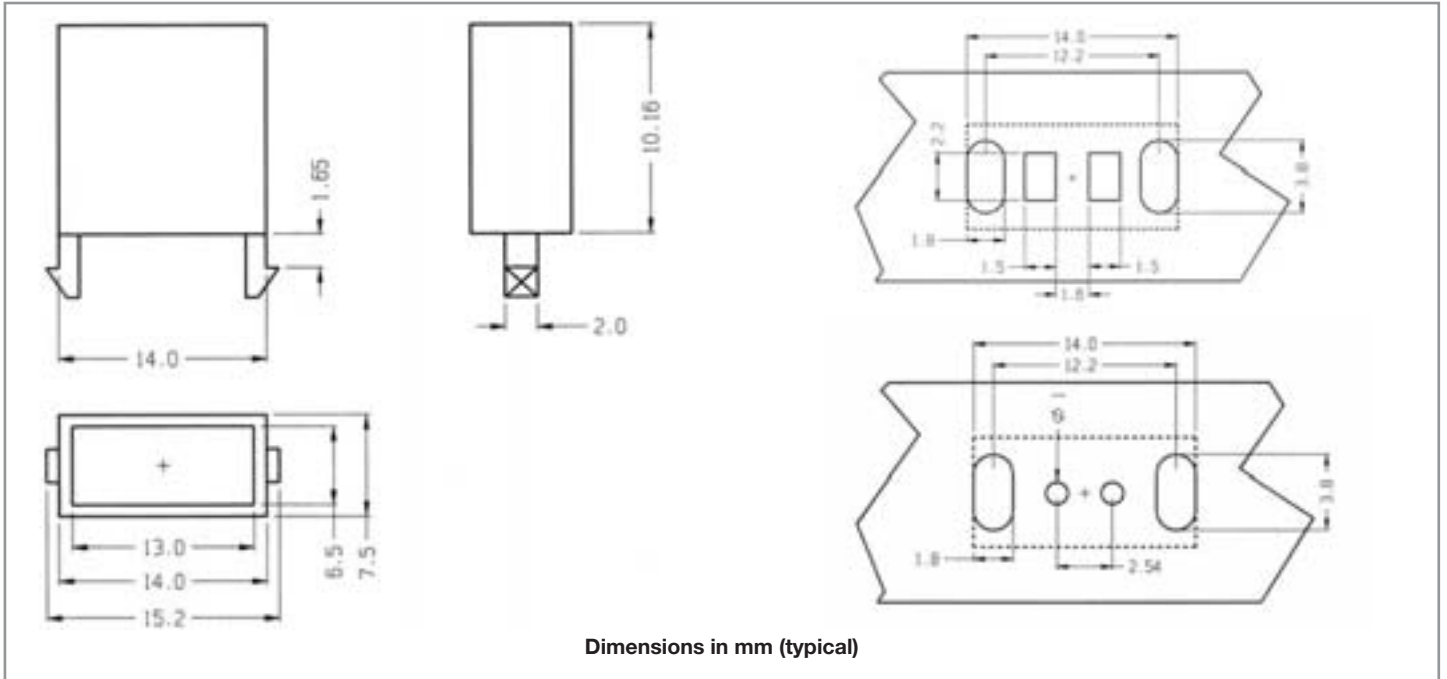
- ▶ Helps to eliminate mixed technology PCB processing
- ▶ Excellent on/off contrast
- ▶ Choise of 9 bright colors
- ▶ Uniform light area
- ▶ Easily mounted on PCB by snap-in
- ▶ Arrangeable in rows
- ▶ Industry Standard Footprint

- ▶ Designed for low current operation
- ▶ Dominant wavelength from 430 nm to 700 nm
- ▶ LEDs color can be mixed in a single housing
- ▶ Reduce insertion cost
- ▶ Case in different colors
- ▶ Flush mountable
- ▶ Custom version without cost



| Code | Module Dimensions L x H x T (mm) | Effective Viewing (mm) | LEDs Q.ty | Led Color (nm) Typ. | | Iv (mcd) Typ | IF (mA) Typ | Vf (Volt) @ 20mA | Case Colour |
|----------------------------|-------------------------------------|---------------------------|--------------|------------------------|-------------------|--------------------|-------------------|---------------------------|----------------|
| SMD (PLCC2 3,2x2,8) | | | | | | | | | |
| KLB800 W-Y | 14x7,50x10,16 | 13x6,50 | 1 | Yellow | 590 | 138 | 20 | 2,2 | White |
| KLB800 Y-Y | 14x7,50x10,16 | 13x6,50 | 1 | Yellow | 590 | 138 | 20 | 2,2 | Yellow |
| KLB800 W-YL | 14x7,50x10,16 | 13x6,50 | 1 | Yellow | 590 | 5 | 2 | 2,1 | White |
| KLB800 Y-YL | 14x7,50x10,16 | 13x6,50 | 1 | Yellow | 590 | 5 | 2 | 2,1 | Yellow |
| KLB800 W-A | 14x7,50x10,16 | 13x6,50 | 1 | Amber | 615 | 149 | 20 | 2,1 | White |
| KLB800 Y-A | 14x7,50x10,16 | 13x6,50 | 1 | Amber | 615 | 149 | 20 | 2,1 | Yellow |
| KLB800 W-W | 14x7,50x10,16 | 13x6,50 | 1 | White | X=0,30 y=0,32 590 | 180 | 20 | 4,2 | White |
| KLB800 W-R | 14x7,50x10,16 | 13x6,50 | 1 | Red | 630 | 90 | 20 | 2,2 | White |
| KLB800 R-R | 14x7,50x10,16 | 13x6,50 | 1 | Red | 630 | 90 | 20 | 2,2 | Red |
| KLB800 W-RL | 14x7,50x10,16 | 13x6,50 | 1 | Red | 628 | 5 | 2 | 2,2 | White |
| KLB800 R-RL | 14x7,50x10,16 | 13x6,50 | 1 | Red | 628 | 5 | 2 | 2,2 | Red |
| KLB800 W-U | 14x7,50x10,16 | 13x6,50 | 1 | Blue | 470 | 47 | 20 | 4,5 | White |
| KLB800 U-U | 14x7,50x10,16 | 13x6,50 | 1 | Blue | 470 | 47 | 20 | 4,5 | Blue |
| KLB800 W-G | 14x7,50x10,16 | 13x6,50 | 1 | Green | 570 | 120 | 20 | 2,1 | White |
| KLB800 G-G | 14x7,50x10,16 | 13x6,50 | 1 | Green | 570 | 120 | 20 | 2,1 | Green |
| KLB800 W-GL | 14x7,50x10,16 | 13x6,50 | 1 | Green | 570 | 5 | 2 | 2,1 | White |
| KLB800 G-GL | 14x7,50x10,16 | 13x6,50 | 1 | Green | 570 | 5 | 2 | 2,1 | Green |
| KLB800 W-I | 14x7,50x10,16 | 13x6,50 | 1 | Super red | 635 | 185 | 20 | 2,2 | White |
| KLB800 R-I | 14x7,50x10,16 | 13x6,50 | 1 | Super red | 635 | 185 | 20 | 2,2 | Red |
| KLB800 W-B | 14x7,50x10,16 | 13x6,50 | 1 | Red - Green | 630/570 | 20/20 | 10 | 2,2 | White |

| PTH (ø 3 mm LED) | | | | | | | | | |
|-------------------------|-------------------------------------|---------------------------|--------------|------------------------|-------------------|--------------------|-------------------|---------------------------|----------------|
| Code | Module Dimensions L x H x T (mm) | Effective Viewing (mm) | LEDs Q.ty | Led Color (nm) Typ. | | Iv (mcd) Typ | IF (mA) Typ | Vf (Volt) @ 20mA | Case Colour |
| KLB810 W-Y | 14x7,50x10,16 | 13x6,50 | 1 | Yellow | 590 | 25 | 20 | 2,2 | White |
| KLB810 Y-Y | 14x7,50x10,16 | 13x6,50 | 1 | Yellow | 590 | 25 | 20 | 2,2 | Yellow |
| KLB810 W-YL | 14x7,50x10,16 | 13x6,50 | 1 | Yellow | 590 | 5 | 2 | 2,1 | White |
| KLB810 Y-YL | 14x7,50x10,16 | 13x6,50 | 1 | Yellow | 590 | 5 | 2 | 2,1 | Yellow |
| KLB810 W-A | 14x7,50x10,16 | 13x6,50 | 1 | Amber | 615 | 136 | 20 | 2,1 | White |
| KLB810 Y-A | 14x7,50x10,16 | 13x6,50 | 1 | Amber | 615 | 136 | 20 | 2,1 | Yellow |
| KLB810 W-W | 14x7,50x10,16 | 13x6,50 | 1 | White | X=0,30 y=0,32 590 | 300 | 20 | 4,2 | White |
| KLB810 W-R | 14x7,50x10,16 | 13x6,50 | 1 | Red | 625 | 32 | 20 | 2,2 | White |
| KLB810 R-R | 14x7,50x10,16 | 13x6,50 | 1 | Red | 625 | 32 | 20 | 2,2 | Red |
| KLB810 W-RL | 14x7,50x10,16 | 13x6,50 | 1 | Red | 625 | 5 | 2 | 2,2 | White |
| KLB810 R-RL | 14x7,50x10,16 | 13x6,50 | 1 | Red | 625 | 5 | 2 | 2,2 | Red |
| KLB810 W-U | 14x7,50x10,16 | 13x6,50 | 1 | Blue | 470 | 405 | 20 | 4,3 | White |
| KLB810 U-U | 14x7,50x10,16 | 13x6,50 | 1 | Blue | 470 | 405 | 20 | 4,3 | Blue |
| KLB810 W-G | 14x7,50x10,16 | 13x6,50 | 1 | Green | 565 | 30 | 20 | 2,1 | White |
| KLB810 G-G | 14x7,50x10,16 | 13x6,50 | 1 | Green | 565 | 30 | 20 | 2,1 | Green |
| KLB810 W-GL | 14x7,50x10,16 | 13x6,50 | 1 | Green | 565 | 5 | 2 | 2,1 | White |
| KLB810 G-GL | 14x7,50x10,16 | 13x6,50 | 1 | Green | 565 | 5 | 2 | 2,1 | Green |
| KLB810 W-I | 14x7,50x10,16 | 13x6,50 | 1 | Super red | 625 | 85 | 20 | 2,2 | White |
| KLB810 R-I | 14x7,50x10,16 | 13x6,50 | 1 | Super red | 625 | 85 | 20 | 2,2 | Red |
| KLB810 W-B | 14x7,50x10,16 | 13x6,50 | 1 | Red - Green | 625/565 | 309/30 | 20 | 2,2 | White |



OPTIONS AVAILABLE

- ◆ Different Lengths & Shape
- ◆ Special LEDs on request
- ◆ Bin Selection
- ◆ Ultrabright (from 300 to 3.000 mcd)
- ◆ Bicolor-Tricolor and Full Color
- ◆ Light Push Button
- ◆ Blinking LEDs
- ◆ 5V & 12V Integrated Resistor

MATERIAL SPECIFICATION

- ◆ Housing: PC
- ◆ Lens: PC Optic
- ◆ Operating Temperature: -40 to +125 °C
- ◆ Soldering Temperature: 260 °C ≤ 6 sec.
- ◆ Storage Temperature: -60° to +125°C
- ◆ MTBF: 100.000 hours @ 20mA
250.000 hours @ 2mA
- ◆ Plastic Color & Material on Request

APPLICATIONS

- ◆ Business Machine Message Annunciators
- ◆ Telecommunication Indicators
- ◆ Front Panel Process Status Indicators
- ◆ PC Board Identifiers
- ◆ Light Push Button
- ◆ Portable Data Entry Device
- ◆ Medical Equipment
- ◆ Transportation Equipment

