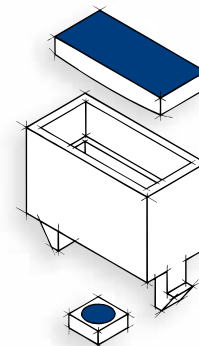
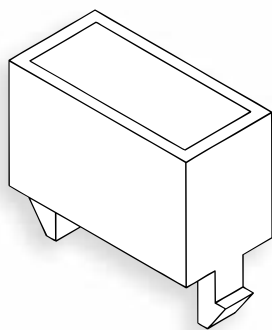


FEATURES

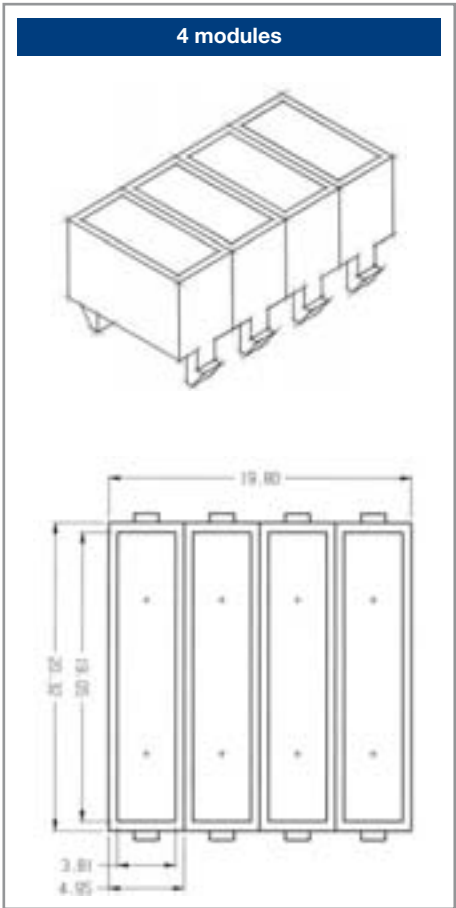
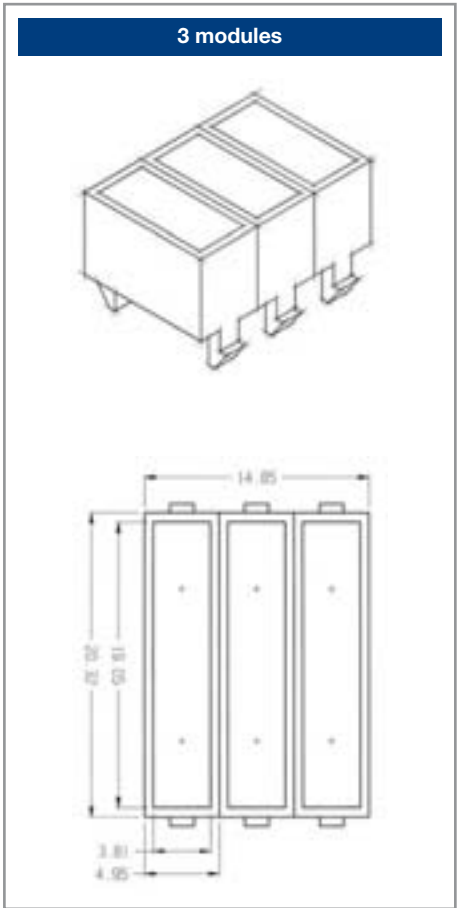
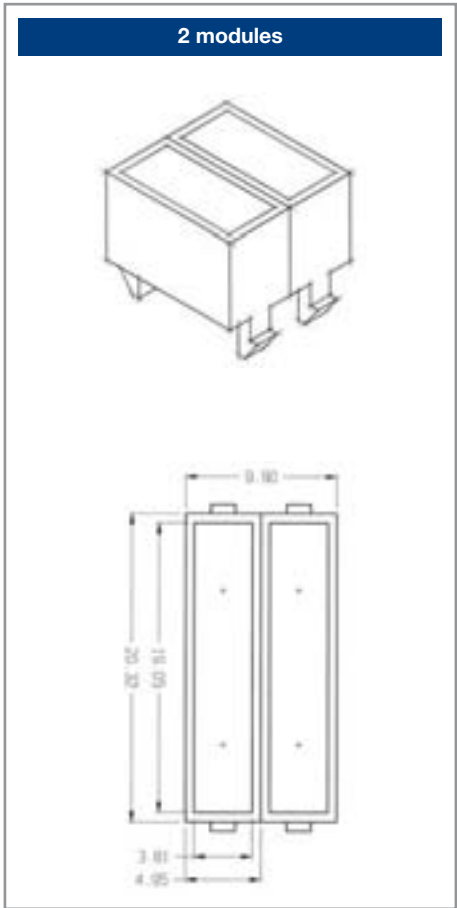
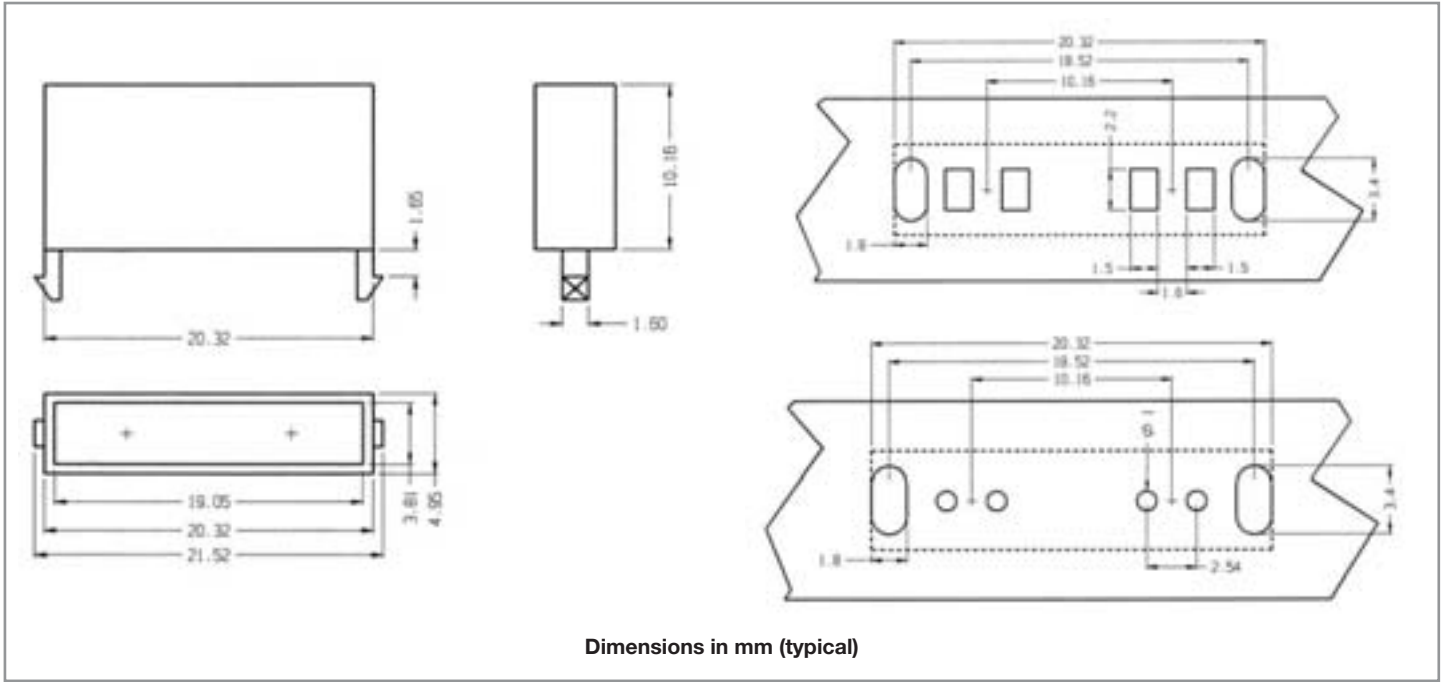
- ▶ Helps to eliminate mixed technology PCB processing
- ▶ Excellent on/off contrast
- ▶ Choice of 9 bright colors
- ▶ Uniform light area
- ▶ Easily mounted on PCB by snap-in
- ▶ Arrangeable in rows
- ▶ Industry Standard Footprint

- ▶ Designed for low current operation
- ▶ Dominant wavelength from 430 nm to 700 nm
- ▶ LEDs color can be mixed in a single housing
- ▶ Reduce insertion cost
- ▶ Case in different colors
- ▶ Flush mountable
- ▶ Custom version without cost



Code	Module Dimensions L x H x T (mm)	Effective Viewing (mm)	LEDs Q.ty	Led Color (nm) Typ.		Iv (mcd) Typ	IF (mA) Typ	Vf (Volt) @ 20mA	Case Colour
SMD (PLCC2 3,2x2,8)									
KLB400 W-Y	20,32x4,953x10,16	19,050x3,81	2	Yellow	590	138	20	2,2	White
KLB400 Y-Y	20,32x4,953x10,16	19,050x3,81	2	Yellow	590	138	20	2,2	Yellow
KLB400 W-YL	20,32x4,953x10,16	19,050x3,81	2	Yellow	590	5	2	2,1	White
KLB400 Y-YL	20,32x4,953x10,16	19,050x3,81	2	Yellow	590	5	2	2,1	Yellow
KLB400 W-A	20,32x4,953x10,16	19,050x3,81	2	Amber	615	149	20	2,1	White
KLB400 Y-A	20,32x4,953x10,16	19,050x3,81	2	Amber	615	149	20	2,1	Yellow
KLB400 W-W	20,32x4,953x10,16	19,050x3,81	2	White	X=0,30 y=0,32 180	20	20	4,2	White
KLB400 W-R	20,32x4,953x10,16	19,050x3,81	2	Red	630	90	20	2,2	White
KLB400 R-R	20,32x4,953x10,16	19,050x3,81	2	Red	630	90	20	2,2	Red
KLB400 W-RL	20,32x4,953x10,16	19,050x3,81	2	Red	628	5	2	2,2	White
KLB400 R-RL	20,32x4,953x10,16	19,050x3,81	2	Red	628	5	2	2,2	Red
KLB400 W-U	20,32x4,953x10,16	19,050x3,81	2	Blue	470	47	20	4,5	White
KLB400 U-U	20,32x4,953x10,16	19,050x3,81	2	Blue	470	47	20	4,5	Blue
KLB400 W-G	20,32x4,953x10,16	19,050x3,81	2	Green	570	120	20	2,1	White
KLB400 G-G	20,32x4,953x10,16	19,050x3,81	2	Green	570	120	20	2,1	Green
KLB400 W-GL	20,32x4,953x10,16	19,050x3,81	2	Green	570	5	2	2,1	White
KLB400 G-GL	20,32x4,953x10,16	19,050x3,81	2	Green	570	5	2	2,1	Green
KLB400 W-I	20,32x4,953x10,16	19,050x3,81	2	Super red	635	185	20	2,2	White
KLB400 R-I	20,32x4,953x10,16	19,050x3,81	2	Super red	635	185	20	2,2	Red
KLB400 W-B	20,32x4,953x10,16	19,050x3,81	2	Bi-color	630/570	20/20	10	2,2	White

PTH (ø 3 mm LED)									
KLB410 W-Y	20,32x4,953x10,16	19,050x3,81	2	Yellow	590	25	20	2,2	White
KLB410 Y-Y	20,32x4,953x10,16	19,050x3,81	2	Yellow	590	25	20	2,2	Yellow
KLB410 W-YL	20,32x4,953x10,16	19,050x3,81	2	Yellow	590	5	2	2,1	White
KLB410 Y-YL	20,32x4,953x10,16	19,050x3,81	2	Yellow	590	5	2	2,1	Yellow
KLB410 W-A	20,32x4,953x10,16	19,050x3,81	2	Amber	615	136	20	2,1	White
KLB410 Y-A	20,32x4,953x10,16	19,050x3,81	2	Amber	615	136	20	2,1	Yellow
KLB410 W-W	20,32x4,953x10,16	19,050x3,81	2	White	X=0,30 y=0,32 300	20	20	4,2	White
KLB410 W-R	20,32x4,953x10,16	19,050x3,81	2	Red	625	32	20	2,2	White
KLB410 R-R	20,32x4,953x10,16	19,050x3,81	2	Red	625	32	20	2,2	Red
KLB410 W-RL	20,32x4,953x10,16	19,050x3,81	2	Red	625	5	2	2,2	White
KLB410 R-RL	20,32x4,953x10,16	19,050x3,81	2	Red	625	5	2	2,2	Red
KLB410 W-U	20,32x4,953x10,16	19,050x3,81	2	Blue	470	405	20	4,3	White
KLB410 U-U	20,32x4,953x10,16	19,050x3,81	2	Blue	470	405	20	4,3	Blue
KLB410 W-G	20,32x4,953x10,16	19,050x3,81	2	Green	565	30	20	2,1	White
KLB410 G-G	20,32x4,953x10,16	19,050x3,81	2	Green	565	30	20	2,1	Green
KLB410 W-GL	20,32x4,953x10,16	19,050x3,81	2	Green	565	5	2	2,1	White
KLB410 G-GL	20,32x4,953x10,16	19,050x3,81	2	Green	565	5	2	2,1	Green
KLB410 W-I	20,32x4,953x10,16	19,050x3,81	2	Super red	625	85	20	2,2	White
KLB410 R-I	20,32x4,953x10,16	19,050x3,81	2	Super red	625	85	20	2,2	Red
KLB410 W-B	20,32x4,953x10,16	19,050x3,81	2	Bi-color	625/565	30/30	20	2,2	White



- OPTIONS AVAILABLE**
- ◆ Different Lengths & Shape
 - ◆ Special LEDs on request
 - ◆ Bin Selection
 - ◆ Ultrabright (from 300 to 3.000 mcd)
 - ◆ Bicolor-Tricolor and Full Color
 - ◆ Light Push Button
 - ◆ Blinking LEDs
 - ◆ 5V & 12V Integrated Resistor

- MATERIAL SPECIFICATION**
- ◆ Housing: PC
 - ◆ Lens: PC Optic
 - ◆ Operating Temperature - 40 to + 125 °C
 - ◆ Soldering Temperature: 260 °C ≤ 5 sec.
 - ◆ Storage Temperature: -60° to + 125°C
 - ◆ MTBF: 100.000 hours @ 20mA
 - 250.000 hours @ 2mA
 - ◆ Plastic Color & Material on Request

- APPLICATIONS**
- ◆ Business Machine Message Annunciators
 - ◆ Telecommunication Indicators
 - ◆ Front Panel Process Status Indicators
 - ◆ PC Board Identifiers
 - ◆ Light Push Button
 - ◆ Portable Data Entry Device
 - ◆ Medical Equipment
 - ◆ Transportation Equipment

