

Via Monfalcone 41  
20092 Cinisello Balsamo (Milano) – Italy  
Tel. +39 0266013695 – Fax +39 0266013500

## KHS54 Heat Sink for Power LEDs 1W - 3W



### KHS Series - Standard MR16

- High efficiency
- 54mm Diameter
- Standard MR16

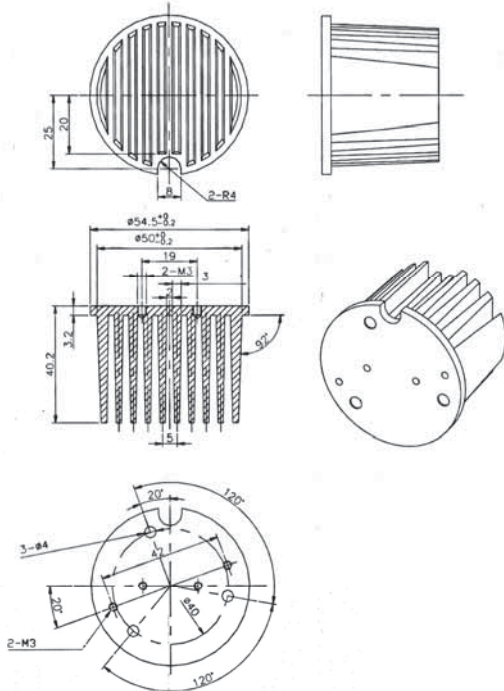
#### Technical data

- $R_{th} (\text{°C/W}) = 10,3 \text{ °C/W}$
- $W/mK = 193 - 200$  (Therm cond.)
- Material: Aluminium ALMgSi0,5  
UNI 6060 DIN 1725
- $Kg/dm^3 = 2,70$  (Spec. gravity)

### DESCRIPTION:

The KHS54 series has been designed for 1 - 3W POWER LEDs. The Heat Sink performance is measured basing on its Thermal Resistance ( $R_{th}$ ), where  $R_{th}$  is the temperature increase ( $\Delta T$ ) in Centigrade degrees caused by application of 1 Watt power. As Being national or international test methods to evaluate  $R_{th}$  not available, the values to considered are the ones coming from laboratory tests.

### Drawing



### Application



The Terminal resistance is calculated considering a uniform heat source on heat sink. The above measures are given only as a reference and may change (UNI 3879 - DIN 1748). All thermal resistance values (R) are indicative and refer only to the heat sink surface.