

Via Monfalcone 41
20092 Cinisello Balsamo (Milano) – Italy
Tel. +39 0266013695 – Fax +39 0266013500

USA Division
Khatod Optoelectronic USA
1033 Lenape Road - West Chester, PA 19382
Phone: +1 484 947 9006 – Fax: +1 610 696 8035

KHS44 Heat Sink for Power LEDs 1W - 3W



KHS Series - Standard MR11

- High efficiency
- 44mm Diameter
- Standard MR11

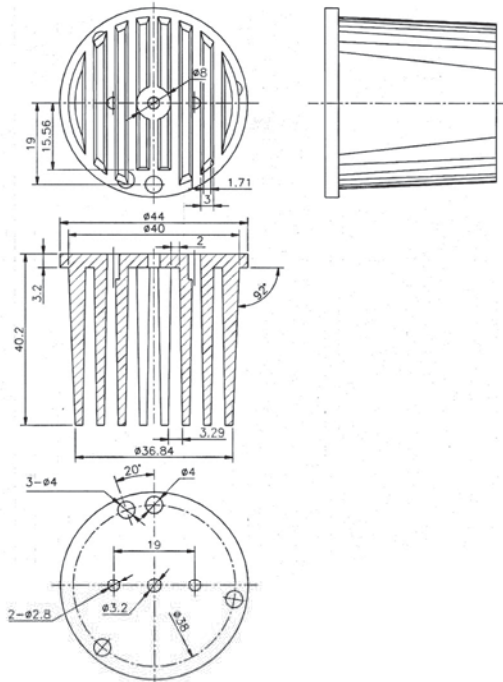
Technical data

- $R_{th} (°C/W) = 11,7 °C/W$
- $W/mK = 193 - 200$ (Therm cond.)
- Material: Aluminium ALMgSi0,5
UNI 6060 DIN 1725
- $Kg/dm^3 = 2,70$ (Spec. gravity)

DESCRIPTION:

The KHS44 series has been designed for 1 - 3W POWER LEDs. The Heat Sink performance is measured basing on its Thermal Resistance (R_{th}), where R_{th} is the temperature increase (ΔT) in Centigrade degrees caused by application of 1 Watt power. As Being national or international test methods to evaluate R_{th} not available, the values to considered are the ones coming from laboratory tests.

Drawing



Application



The Terminal resistance is calculated considering a uniform heat source on heat sink. The above measures are given only as a reference and may change (UNI 3879 - DIN 1748). All thermal resistance values (R) are indicative and refer only to the heat sink surface.