

Via Monfalcone 41
20092 Cinisello Balsamo (Milano) – Italy
Tel. +39 0263073695 – Fax +39 0263073500

MODEL NO: KEPL19940W

SUBJECT: Z-POWER[®] LED P5 II – Lens Coupling - Output Luminous Intensity Measurement

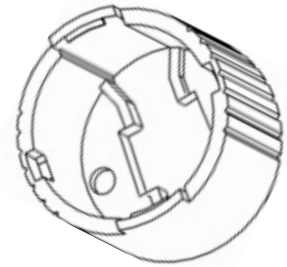


KEPL19940W

- Free Testing
- No vibration problems
- High efficiency

Typical applications are

- Architectural lighting
- Lamps
- Street lights
- Most applications where a compact light source is required



DESCRIPTION:

Verification of Luminous Intensity with coupling conditions between Khatod lenses and Z-POWER[®] P5 II F50360 RGB LEDs, lot. n° 8709-T03001.

REPORT:

From 1 m ± 0,02 distance, we have measured Luminous Intensity emitted by LED. Such measurements have been repeated with the same test conditions but coupling LEDs to the lens Khatod cod. KEPL19940W.

MEASURED DATA:

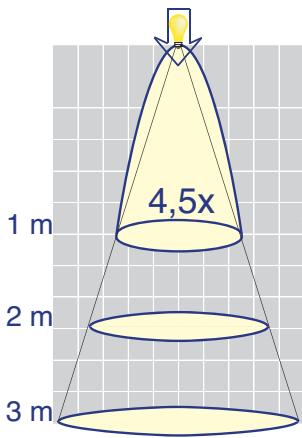
Column 1 shows p/n of the Lenses, column 2 shows Luminous Intensity detected measuring LEDs without lens, column 3 shows Luminous Intensity detected on LEDs coupled with lens, column 4 shows the difference (X*) between col. 2 and col. 3

Lens Type	LED Lux from 1 Mt (ftc From 1 Mt)	LED + lens Lux from 1Mt (ftc From 1 Mt)	X*
KEPL19940W (40°)	20 (1,85 ftc)	93 (8,58 ftc)	4,5

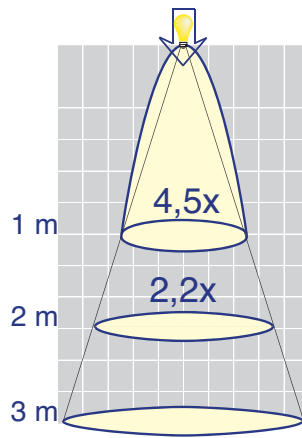
Test carried out after 5 min. of operation of the LED to IF=R:220, G:350, B:100 mA ~ , local power source **GOSSEN KONSTANTER** mod 3226-K118
Measurements carried out with Luxometer mod LUX-1337 of **ISO-TEC** and **MINOLTA** mod LS – 150

* X is the value of the measurement of the LED brightness at 1 meter distance, without optic devices applied to the LED.

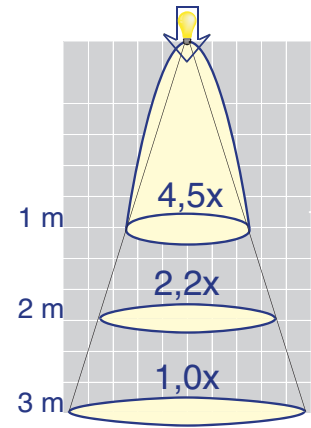
Illuminance chart white LED



PL019940W - 1 METER



PL19940W - 2 METERS



PL19940W - 3 METERS

* X is the value of the measurement of the LED brightness at 1 meter distance, without optic devices applied to the LED

Test conditions:

Test current: RED 220 mA - GREEN 350 mA - BLUE 100 mA

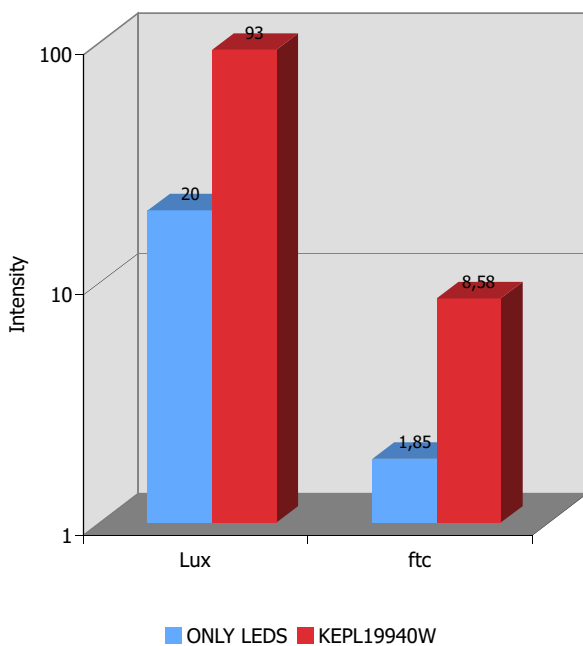
Room Luminous Intensity :0 Lumen

Room Temperature: 22° C

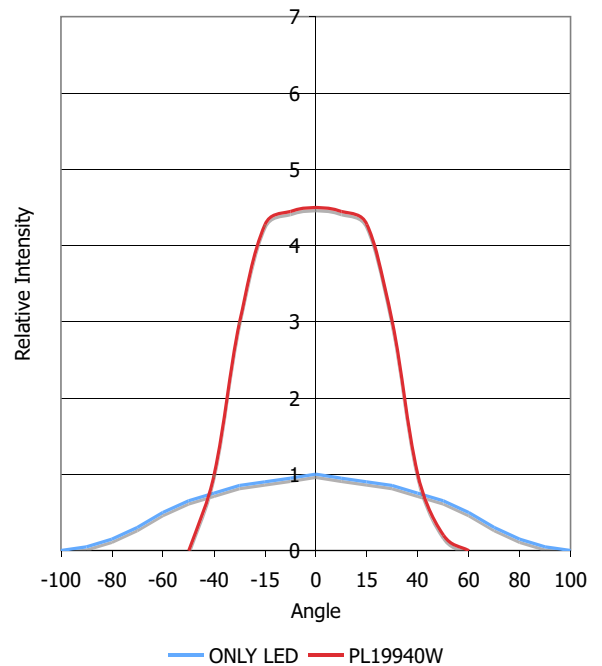
LED temperature after 15 min. : ~ 42 °C

The diagram demonstrates the performance of the Khatod optoelectronic lenses

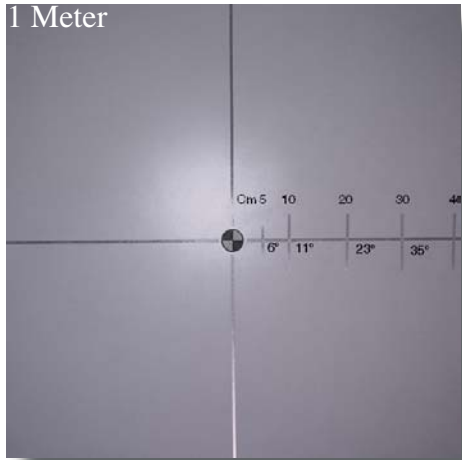
Intensity to 1 Meter



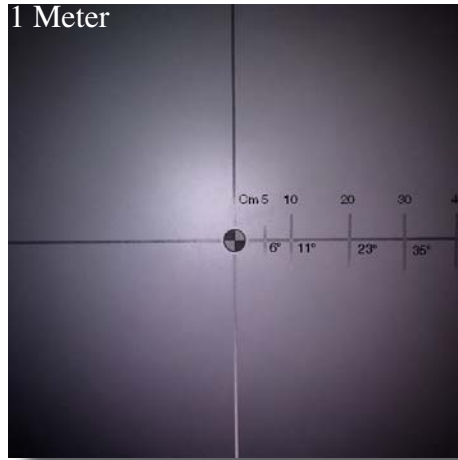
Spectrum Distribution



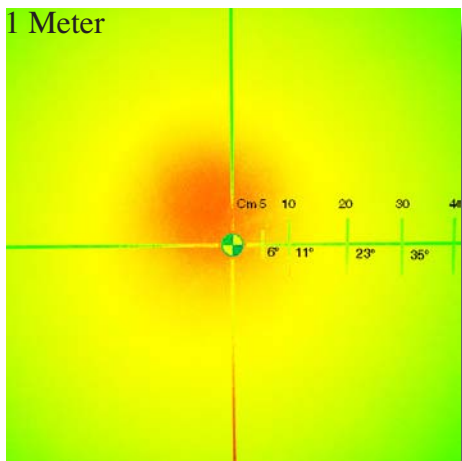
Photos:



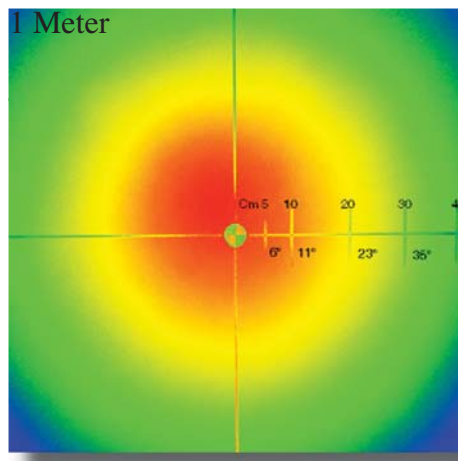
LED P5 II



KEPL19940W (40°)

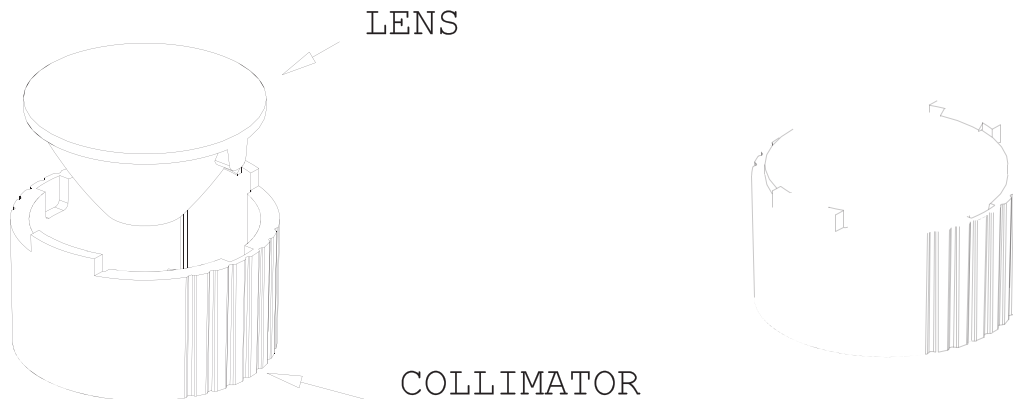


LED P5 II
Spectro Metric Analysis

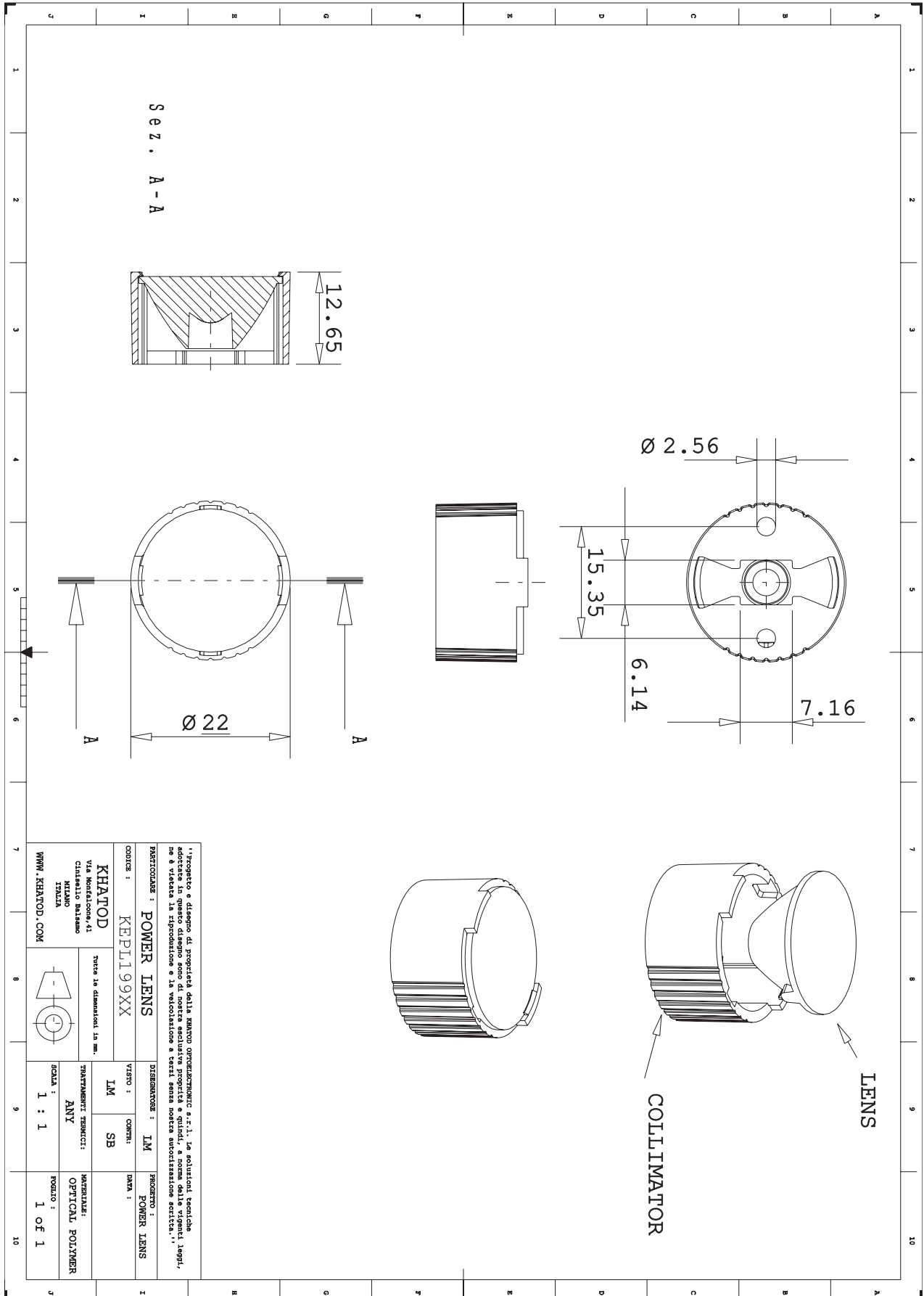


KEPL19940W (40°)
Spectro Metric Analysis

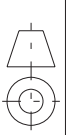
Measurements carried out with Luxometer mod LUX-1337. Room Luminous Intensity: 0 Lumen. Camera mod. Fujifilm S7000



Drawing.



''Progetto e disegno di proprietà della KHATOD OPTOELECTRONIC s.r.l. In soluzioni tecniche adoperate in questo disegno sono di nostra esclusiva proprietà e quindi, a norma delle vigenti leggi, non è vietata la riproduzione e la circolazione a terzi senza nostra autorizzazione scritta.''

PARTICOLARE : POWER LENS		DESCRIZIONE : IM		PRODOTTO : POWER LENS	
CODICE : KEP1199XX		VISTO : IM		DATA :	
KHATOD		IM		SB	
VIA Montelione, 41		MILANO		MILANO	
CHIAVELLO Brianzo		MILANO		MILANO	
WWW.KHATOD.COM		MILANO		MILANO	
Tutte le dimensioni in mm.		TRATTAMENTI TERMICI:		MATERIALE:	
		ANY		OPTICAL POLYMER	
SCALA : 1 : 1		FOGLIO : 1 OF 1			

Lens characteristics

Parameter	Symbol	Rating	Unit
Lens Material	PMMA Optics	--	--
Holder Material	PC	--	--
Operating Temperature	Topr	-40 to +85	°C
Storage Temperature	Tstg	-40 to +85	°C
Average transmittance in visible spectrum (400 – 700nm) >90% as measured using 3mm thick Optical Grade PMMA			

LED characteristics

For technical specification on LEDs please refer to Seoul Semiconductor® datasheet or visit www.seoulsemicon.com

Notes:

Please note that flow lines and weld lines on the external surfaces of the lenses are acceptable if the optical performance of the lens is within the specification described in the section "OPTICAL CHARACTERISTICS"

- Should you require further information, please contact Khatod for advice.
- All lens testing must be subject to identical conditions as Khatod test condition.
- Published by Khatod optoelectronic srl - All the data contained in this document are the property of Khatod optoelectronic srl and may change without notice.

KHATOD LENS Use And Maintenance

- DO NOT HANDLE OR INSTALL LENSES WITHOUT WEARING GLOVES, SKIN OILS MAY DAMAGE LENS OR LIGHT TRANSMISSION
- CLEAN LENSES WITH MILD SOAP AND WATER AND A SOFT CLOTH
- DO NOT USE ANY COMMERCIAL CLEANING SOLVENTS ON LENSES

Khatod SRL, Milan, Italy, manufactures lenses for LEDs. Any other use of the lens shall void our liability and warranty. The lenses are an inert component to be used in the manufacture of various products. Our warranty and liability are limited only to the manufacture of the lens. You may not modify, copy, distribute reproduce, license or alter the lens and related materials of Khatod SRL. Khatod SRL does not warrant against damages or defects arising out of the use or misuse of the products; against defects or damage arising from improper installation, or against defects in the product or in its components. No warranty of any kind, expressed or implied, is made regarding the safety of the products. The entire risk as to the quality or performance of the product is with the buyer. In no event shall Khatod SRL or Khatod USA be liable for any direct, indirect, punitive, incidental, special, consequential damages, or any damages whatsoever arising out of or connected with the use or misuse of the product. Khatod SRL shall not have any obligation with respect to the product or any part thereof, whether based on contract, tort, strict liability or otherwise. Buyer assumes all risks and liability from use of the product. The laws of Milan, Italy govern this product warranty and liability and you hereby consent to the exclusive jurisdiction and venue of courts in Milan, Italy in all disputes arising out of or relating to the use of this product.