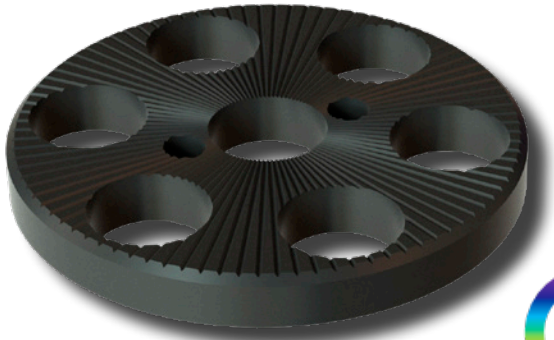
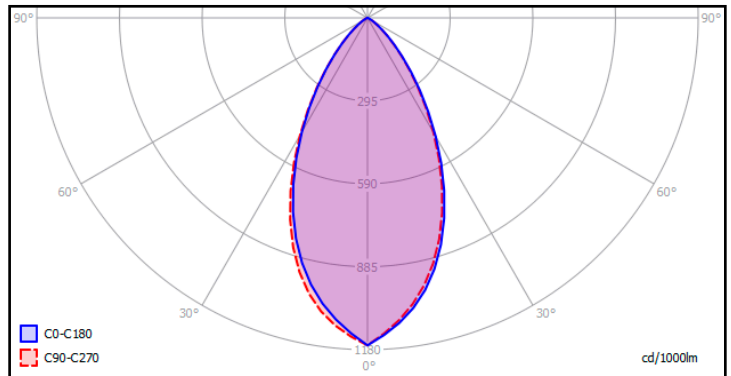


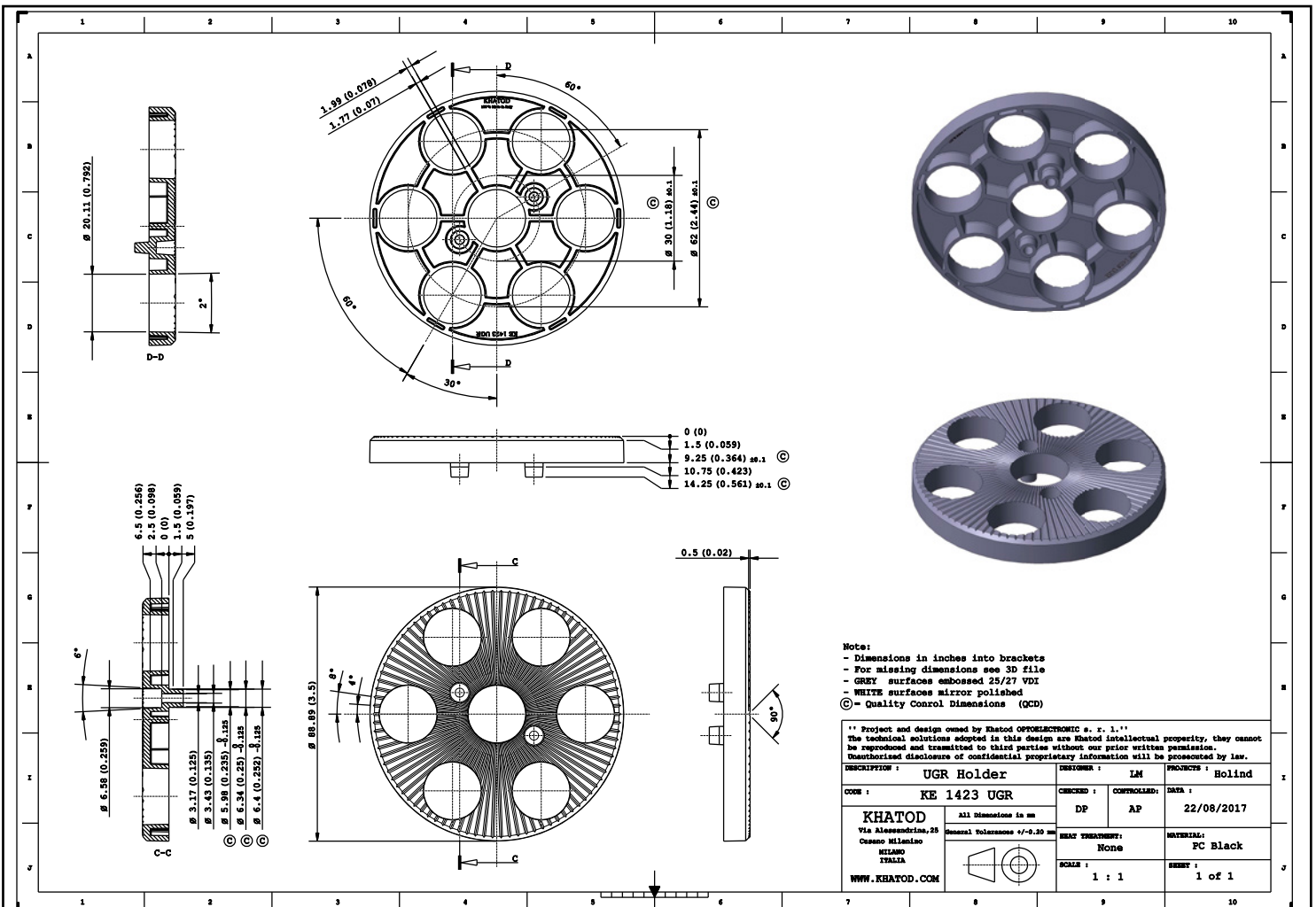
KEPL142360UGR - 60° FWHM



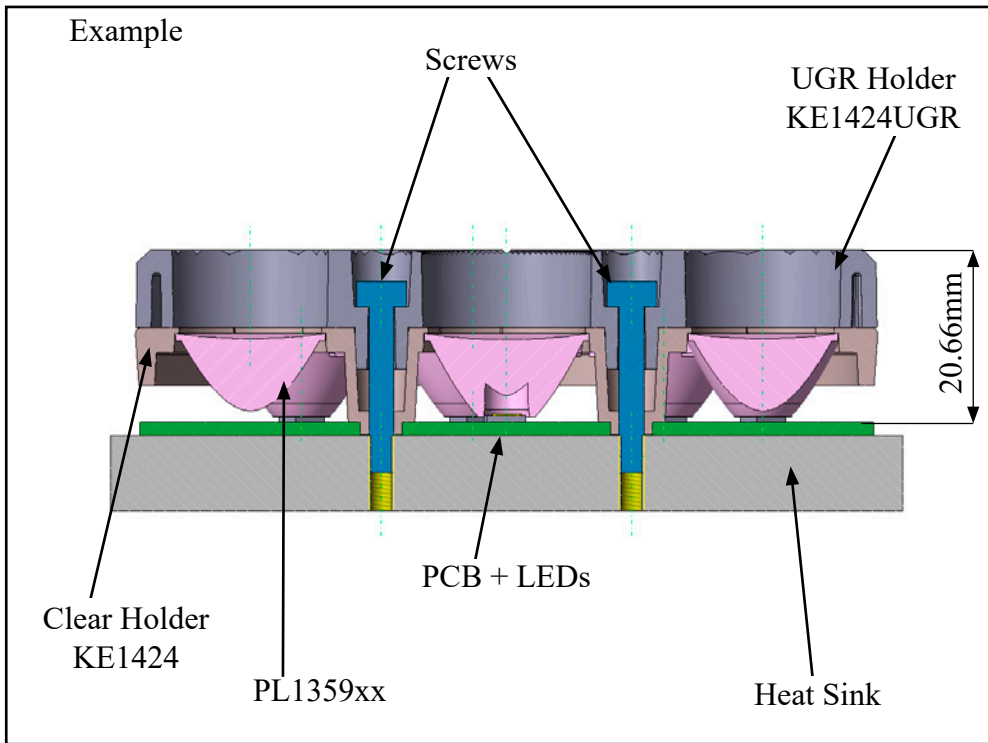
KE1423UGR



- Material = **PC, Black, for UGR Accessory**
PMMA, Clear, for Lenses
PC, Clear, for Holder
- Full angle C0-C180 at 50% from maximum: ~ 54°
- Full angle C0-C180 at 10% from maximum: ~ 92°
- The light spots here represented refer to tests carried out with 7 Watt LEDs, 3mm Dome size, ~ 1610lm



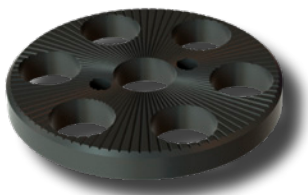
Assembly Specifications



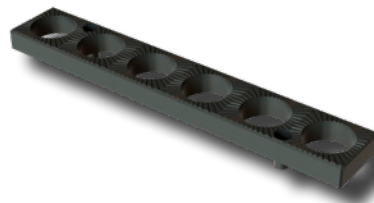
Assembly

- Use TCEI M3 screws
- Maximum recommended tightening torque: 0.5/0.6 Nm
- Maximum Height : 20.66 mm (UGR Holders + Clear Holders)

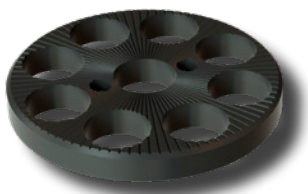
UGR Accessories



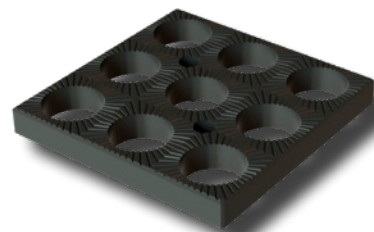
KE1423UGR



KE1550UGR



KE1424UGR



KE1551UGR

How to order



KEPL 1423 XX UGR

Options:
ADD UGR FOR KE1423UGR

- 20
FOR NARROW BEAM
- 36
FOR MEDIUM BEAM
- 60
FOR WIDE BEAM

Each element forming the final assembly will be supplied as a single part.

Example: KEPL142320UGR, composed of KE1423 + PL135920 + KE1423UGR, will be supplied disassembled.

KEPL1423xxUGR



KEPL 1424 XX UGR

Options:
ADD UGR FOR KE1424UGR

- 20
FOR NARROW BEAM
- 36
FOR MEDIUM BEAM
- 60
FOR WIDE BEAM

Each element forming the final assembly will be supplied as a single part.

Example: KEPL142436UGR, composed of KE1424 + PL135936 + KE1424UGR, will be supplied disassembled.

KEPL1424xxUGR



KEPL 1550 XX UGR

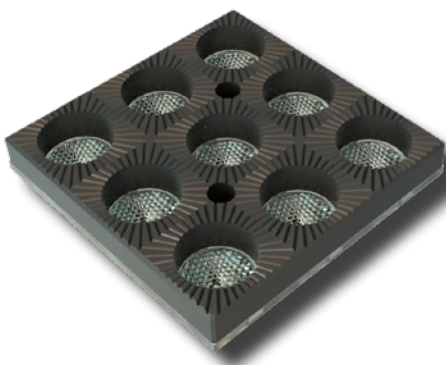
Options:
ADD UGR FOR KE1550UGR

- 20
FOR NARROW BEAM
- 36
FOR MEDIUM BEAM
- 60
FOR WIDE BEAM

Each element forming the final assembly will be supplied as a single part.

Example: KEPL155060UGR, composed of KE1550 + PL135960 + KE1550UGR, will be supplied disassembled.

KEPL1550xxUGR



KEPL 1551 XX UGR

Options:
ADD UGR FOR KE1551UGR

- 20
FOR NARROW BEAM
- 36
FOR MEDIUM BEAM
- 60
FOR WIDE BEAM

Each element forming the final assembly will be supplied as a single part.

Example: KEPL155120UGR, composed of KE1551 + PL135920 + KE1551UGR, will be supplied disassembled.

KEPL1551xxUGR

Materials

| Material | Top |
|----------|----------------|
| PMMA 8N | -40°.....90°C |
| PC Clear | -40°.....120°C |
| PC Black | -40°.....120°C |

Notes:

- Intensity (I) and illuminance (E) data are normalized by 1000 lm
- The optical values shown are the result of optical simulations carried out with LIGHTTOOLS, ASAP and ZEMAX software systems. The optical simulations are carried out on the basis of the typical values provided in the LED manufacturers' official datasheets. The photometric analysis has been carried out on physical samples. On request, by supplying your PCB, we can provide the measurement photometric file.

Use and Maintenance

- DO NOT HANDLE OR INSTALL LENSES WITHOUT WEARING GLOVES, SKIN OILS MAY DAMAGE LENS OR LIGHT TRANSMISSION;
- CLEAN LENSES WITH MILD SOAP AND WATER AND A SOFT CLOTH;
- DO NOT USE ANY COMMERCIAL CLEANING SOLVENTS ON LENSES.

Disclaimer

Please note that flow lines and weld lines on the external surfaces of the lenses are acceptable if the optical performance of the lens is within the specifications.

Should you require further information, please contact Khatod for advice. All lens testing must be subject to identical conditions as Khatod test condition. Khatod Optoelectronic, Milan, Italy, manufactures lenses for LEDs. Any other use of the lens shall void our liability and warranty. The lenses are an inert component to be used in the manufacture of various products. Our warranty and liability are limited only to the manufacture of the lens. You may not modify, copy, distribute reproduce, license or alter the lens and related materials of Khatod. Khatod does not warrant against damages or defects arising out of the use or misuse of the products; against defects or damage arising from improper installation, or against defects in the product or in its components. No warranty of any kind, expressed or implied, is made regarding the safety of the products. The entire risk as to the quality or performance of the product is with the buyer. In no event shall Khatod be liable for any direct, indirect, punitive, incidental, special, consequential damages, or any damages whatsoever arising out of or connected with the use or misuse of the product. Khatod shall not have any obligation with respect to the product or any part thereof, whether based on contract, tort, strict liability or otherwise. Buyer assumes all risks and liability from use of the product. The laws of Milan, Italy govern this product warranty and liability and you hereby consent to the exclusive jurisdiction and venue of courts in Milan, Italy in all disputes arising out of or relating to the use of this product. Production, marketing, distribution, sale of these products as well as their possible modifications and variations are only exclusive right of Khatod Optoelectronic. No company can perform any of these actions without written permission released by Khatod Optoelectronic. The information contained in this document is proprietary of Khatod Optoelectronic and may change without notice.

REPRODUCTION PROHIBITED.