

1 2 3 4 5 6 7 8 9 10

A

B

C

D

E

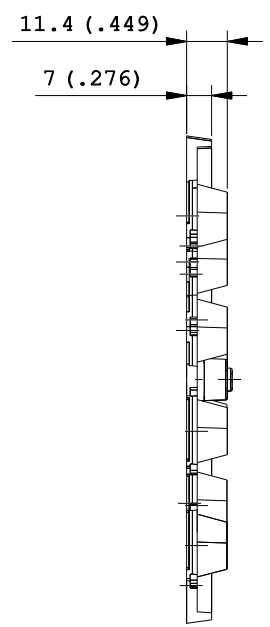
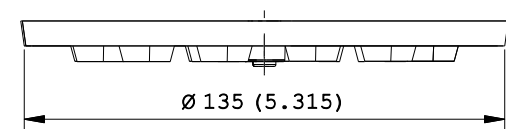
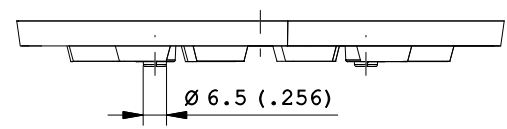
F

G

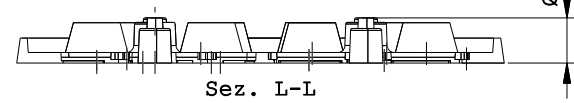
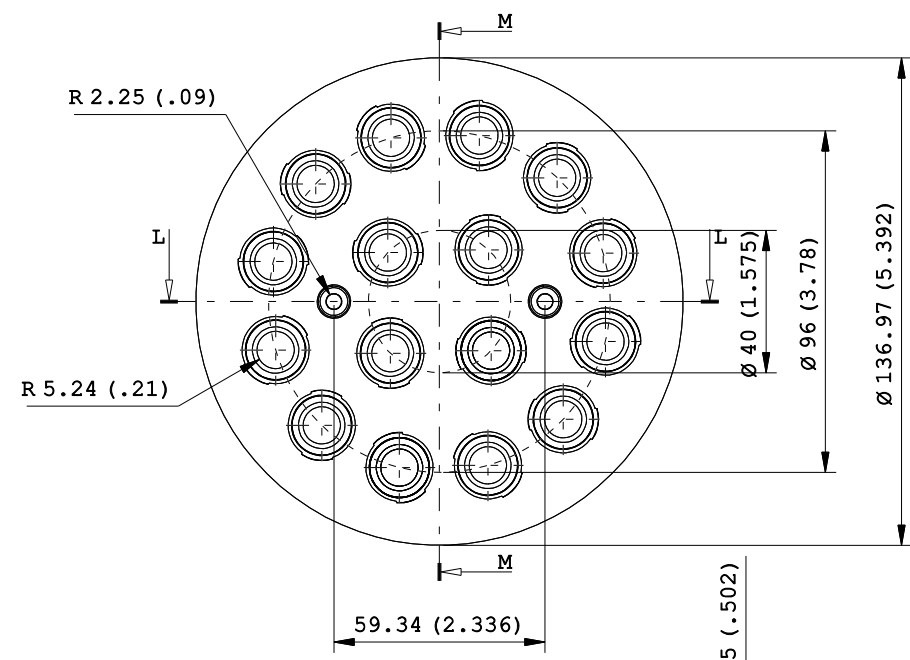
H

I

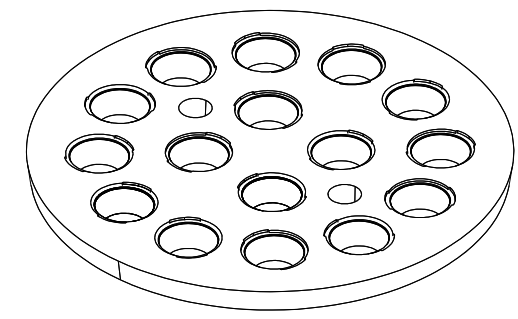
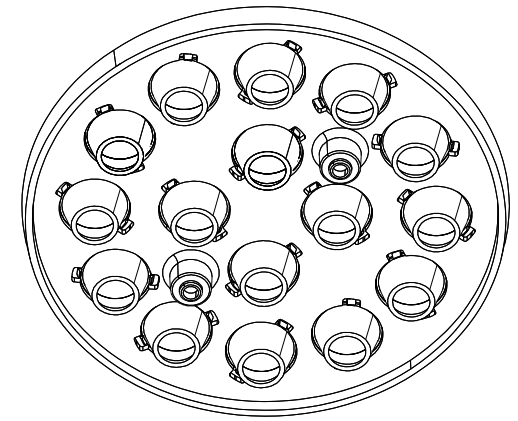
J



Sez. M-M



Sez. L-L



**NOTE:**  
Dimensions In Inches Into Brackets  
For Missing Dimensions See 3D File

'' Project and design owned by Khatod OPTOELECTRONIC s. r. l.'' The technical solutions adopted in this design are Khatod intellectual property, they cannot be reproduced and transmitted to third parties without our prior written permission. Unauthorized disclosure of confidential proprietary information will be prosecuted by law.

DESCRIPTION : <b>Modularis 16</b>		DESIGNER : <b>Simone Bassi</b>	PROJECTS : <b>MODULARIS</b>
CODE : <b>KCLP 1737CR</b>		CHECKED : <b>LM</b>	CONTROLLED: <b>LS</b>
<b>KHATOD</b> Via Monfalcone, 41 Cinisello Balsamo MILANO ITALIA WWW.KHATOD.COM	All Dimensins in mm		HEAT TREATMENT: <b>ANY</b>
	General Tolerances +/-0.20 mm		MATERIAL: <b>PC and CLEAR PMMA</b>
			SCALE : <b>1 : 1</b>
			SHEET : <b>1 OF 1</b>

1 2 3 4 5 6 7 8 9 10