

Via Monfalcone 41
20092 Cinisello Balsamo (Milano) – Italy
Tel. +39 0266013695 – Fax +39 0266013530

CODE NUMBER: KCLP1277CR

SUBJECT: Reflector for 320lm/W Lambertian LEDs - Measurements of Luminous Intensity Output

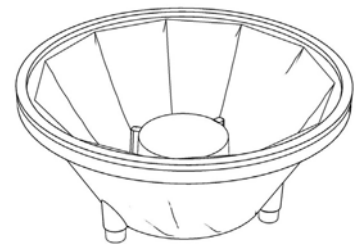


KCLP1277CR_{H T}

- High efficiency
- **Standard MR16**
- High Uniformity
- **Anti-Glare**

Typical applications are

- Up Lights & Down Lights
- Most applications where a compact light is required



PATENT PENDING

DESCRIPTION:

The luminous intensity tests are carried out by coupling Khatod KCLP1277CRHT reflector with 8,00mm dome, 320lm/W Lambertian LEDs. KCLP1277CRHT Reflector works with any Lambertian LED with Dome up to 8,00mm.

REPORT:

The luminous intensity emitted by the LED is measured from 1 m ± 0,02 distance. Measurements are repeated by coupling the LED with KCLP1277CRHT Reflector in the same test conditions.

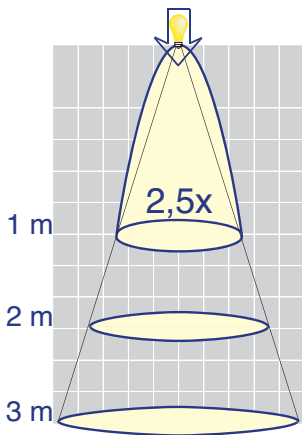
MEASURED DATA:

Column 1 shows the Reflector code number, column 2 shows Luminous Intensity detected by measuring LEDs without reflector, column 3 shows luminous intensity detected on LEDs coupled with reflector, column 4 shows the Ratio (X*) between col. 2 and col. 3

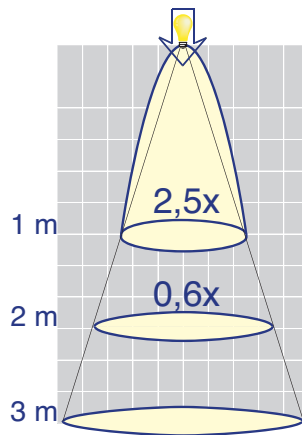
Reflector Type	LED Lux @ 1 Mt (ftc @ 1 Mt)	LED + reflector Lux @ 1Mt (ftc @ 1 Mt)	X*
KCLP1277CRHT (35° FWHM)	130 (12,09 ftc)	330 (30,70 ftc)	2,5

Test carried out after 5 min. of operation of the LED to 350 mA ~ , local power source **GOSSEN KONSTANTER** mod 3226-K118
Measurements carried out with Luxometer mod LUX-1337 of **ISO-TEC** and **MINOLTA** mod LS – 150

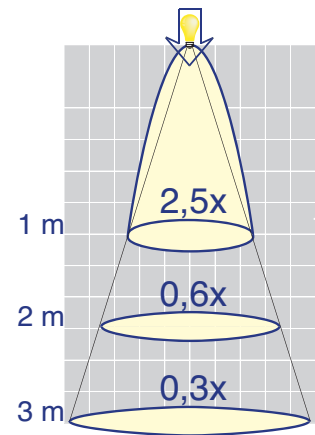
White LED Illuminance chart



KCLP1277CRHT (35° FWHM)
1 Meter



KCLP1277CRHT (35° FWHM)
2 Meters



KCLP1277CRHT (35° FWHM)
3 Meters

Test conditions:

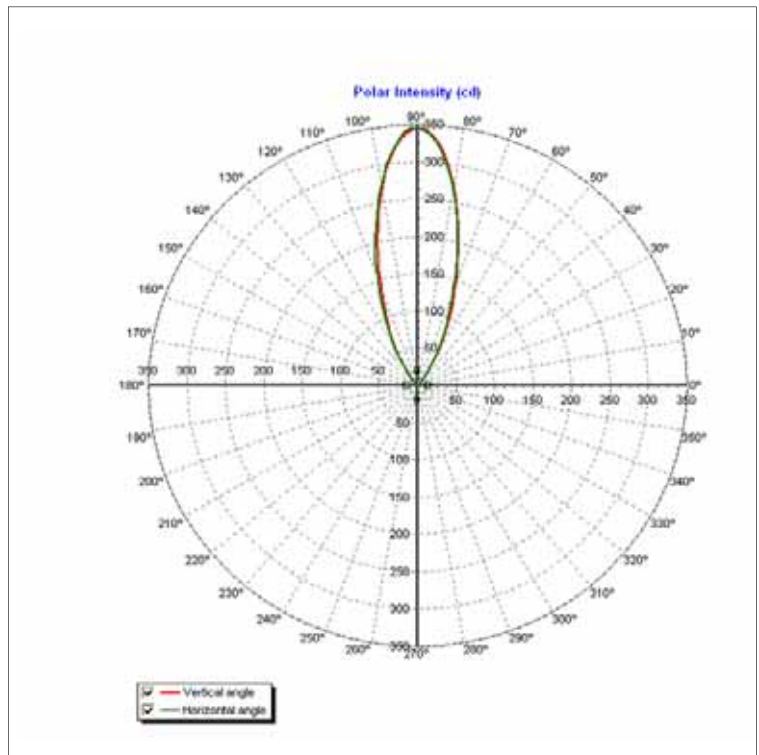
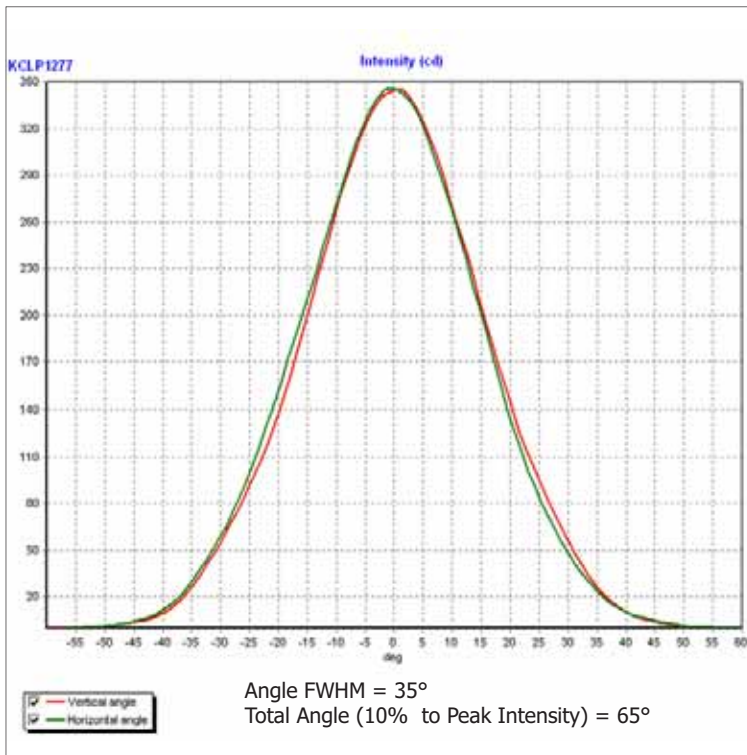
Room Luminous Intensity :0 Lumen

Room Temperature: 24° C

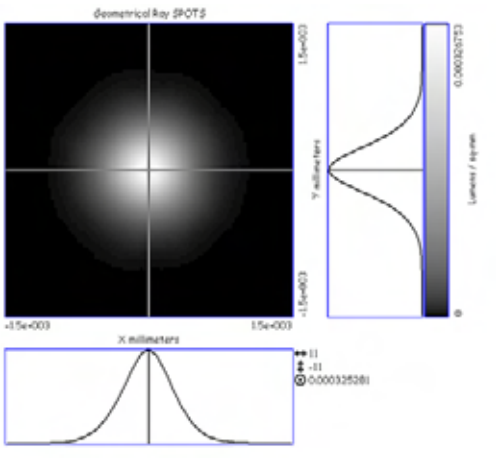
LED temperature after 10 min. : ~ 49 °C

LED Lumen: 320.

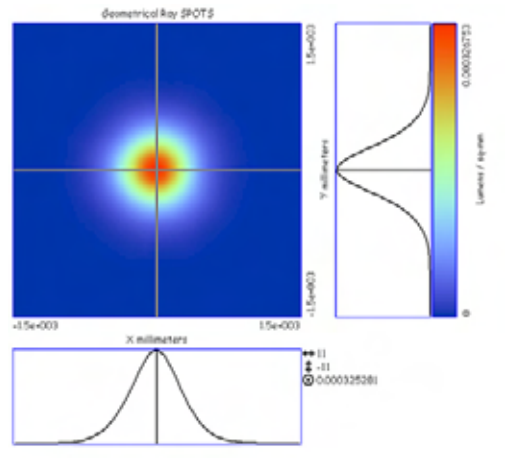
The diagram shows Khatod KCLP1277CRHT reflector's performance.



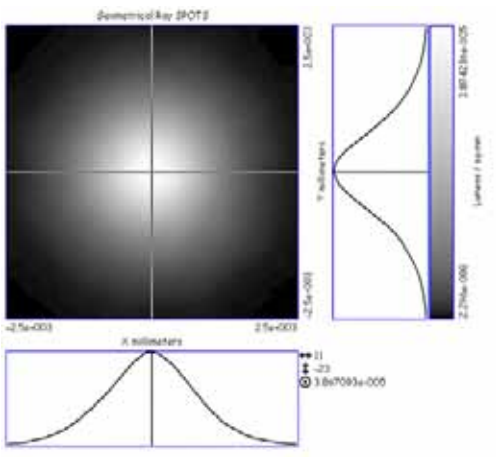
Photos:



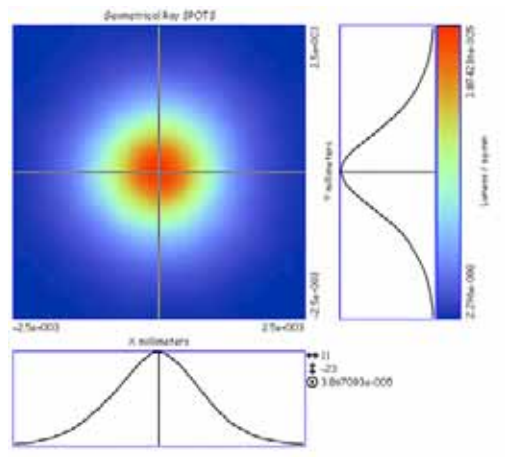
KCLP1277CRHT - Grey Colours
Target at 1 Meter



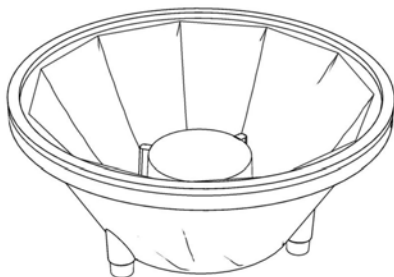
KCLP1277CRHT - False Colours
Target at 1 Meter



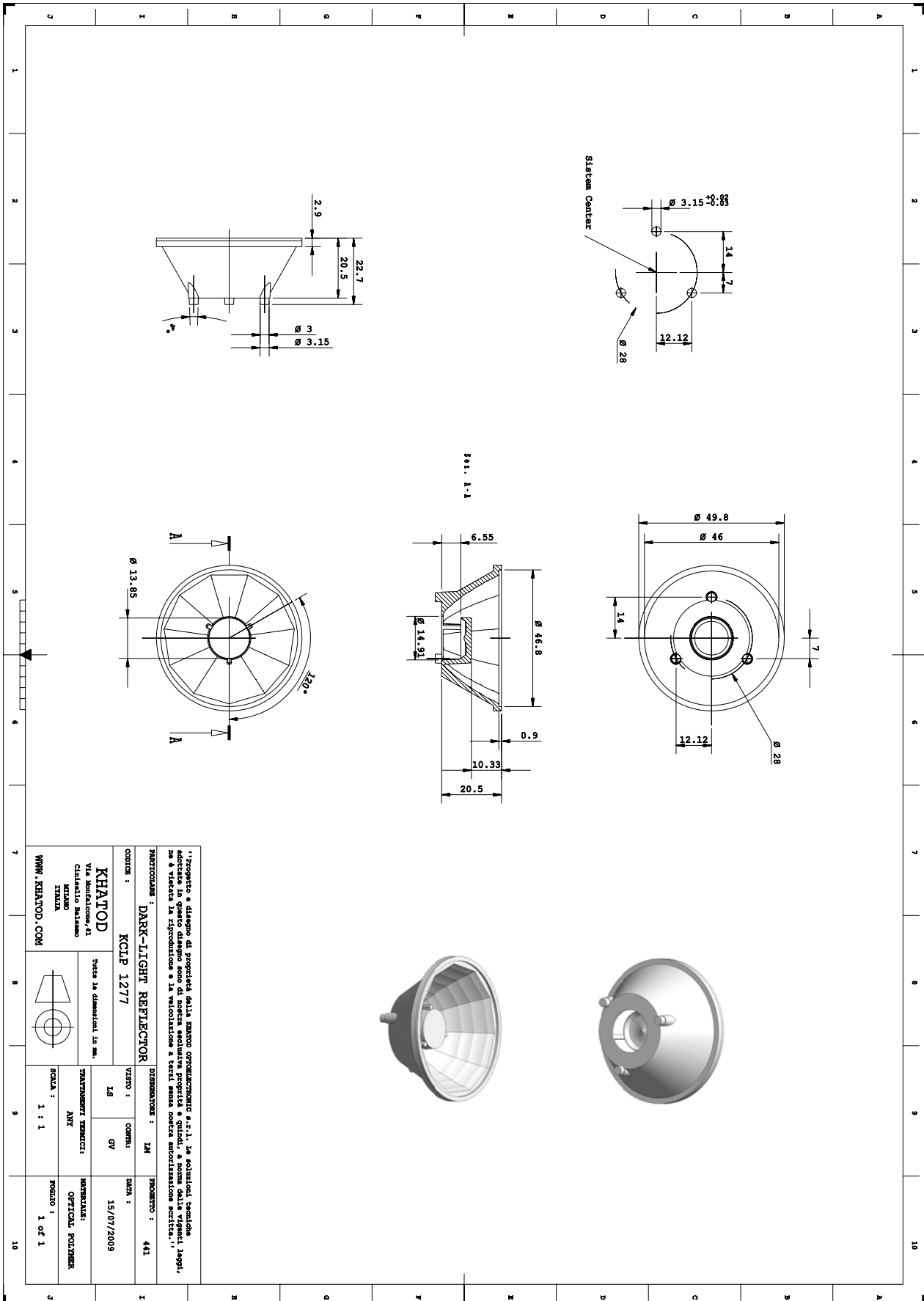
KCLP1277CRHT - Grey Colours
Target at 3 Meters



KCLP1277CRHT - False Colours
Target at 3 Meters



Drawing.



Reflector characteristics

Parameter	Symbol	Rating	Unit
Reflector Material	APEC, Aluminium reflective coating with protective clear coat	--	--
Operating Temperature	Topr	-15 to +180	°C
Storage Temperature	Tstg	-15 to +180	°C

LED characteristics

Any Lambertian LED - Dome Size : up to 8,00mm.
Minimum LED luminous Flux recommended : 100 lumen.
KCLP1277CRHT can be used with one or multiple LEDs.

Notes:

Please note that flow lines and weld lines on the external surfaces of the reflector are acceptable if the optical performance of the reflector is within the specification described in the section "OPTICAL CHARACTERISTICS"

- Should you require further information, please contact Khatod for advice.
- Test results as well as measurement results shown in the Test Report, are based on our laboratory's test parameters.
- Published by Khatod optoelectronic srl - All the data contained in this document are the property of Khatod optoelectronic srl and may change without notice.

KHATOD Reflector Use And Maintenance

- DO NOT HANDLE OR INSTALL Reflector WITHOUT WEARING GLOVES. SKIN OILS MAY DAMAGE REFLECTOR OR LIGHT TRANSMISSION
- CLEAN REFLECTOR WITH MILD SOAP AND WATER AND A SOFT CLOTH
- DO NOT USE ANY COMMERCIAL CLEANING SOLVENTS ON REFLECTOR

Khatod SRL, Milan, Italy, manufactures reflector for LEDs. Any other use of the reflector shall void our liability and warranty. The reflector are an inert component to be used in the manufacture of various products. Our warranty and liability are limited only to the manufacture of the reflector. You may not modify, copy, distribute reproduce, license or alter the reflector and related materials of Khatod SRL. Khatod SRL does not warrant against damages or defects arising out of the use or misuse of the products; against defects or damage arising from improper installation, or against defects in the product or in its components. No warranty of any kind, expressed or implied, is made regarding the safety of the products. The entire risk as to the quality or performance of the product is with the buyer. In no event shall Khatod SRL or Khatod USA be liable for any direct, indirect, punitive, incidental, special, consequential damages, or any damages whatsoever arising out of or connected with the use or misuse of the product. Khatod SRL shall not have any obligation with respect to the product or any part thereof, whether based on contract, tort, strict liability or otherwise. Buyer assumes all risks and liability from use of the product. The laws of Milan, Italy govern this product warranty and liability and you hereby consent to the exclusive jurisdiction and venue of courts in Milan, Italy in all disputes arising out of or relating to the use of this product.