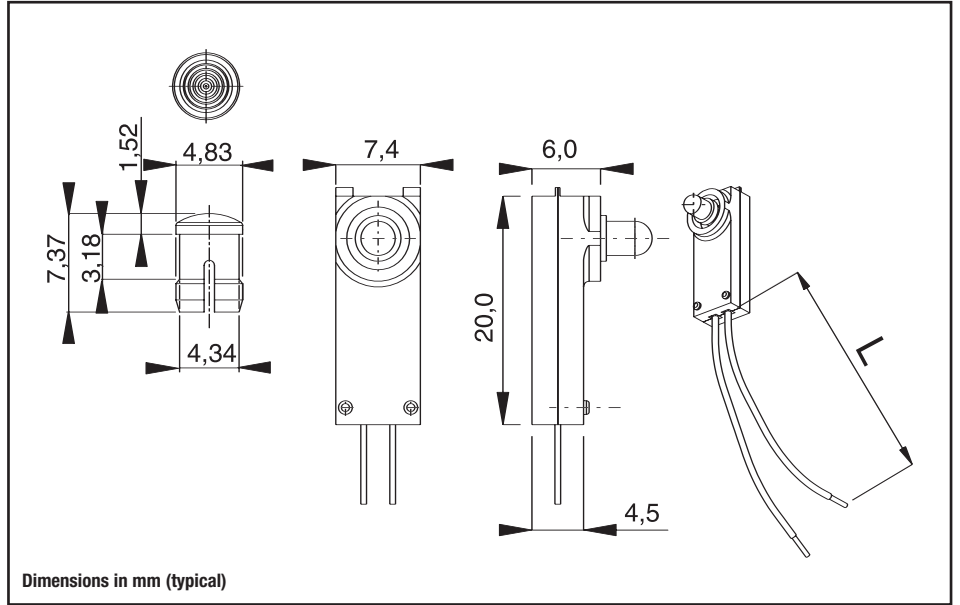




Material: PC Optics UL94  
Nylon 66  
Operating temperature: -60°C +125°C  
ESD protection




You can order each code separately, but if you want assembled kit information are to order:

<b>K929</b>	<b>X</b>	<b>XX</b>	<b>XXX</b>
Series	COLOR LENS See below	LED Type See below	Cable Indicate only your length in <b>mm</b>

Example for code: **K929/CP1200**

<b>K929</b>	<b>C</b>	<b>P1</b>	<b>200</b>
Series	LENS CLEAR	LED 3 mm RED	cable 20 mm length

Code	LENS		
	Colour	Hole (mm)	
<b>A</b>	Amber Transparent	4,3 mm	0,8÷6,3
<b>B</b>	Blue Transparent	4,3 mm	0,8÷6,3
<b>C</b>	Clear Transparent	4,3 mm	0,8÷6,3
<b>G</b>	Green Transparent	4,3 mm	0,8÷6,3
<b>R</b>	Red Transparent	4,3 mm	0,8÷6,3
<b>Y</b>	Yellow Transparent	4,3 mm	0,8÷6,3

Code	LED	
	Size	Emitted Color
<b>P1</b>	Ø 3mm	Red
<b>P2</b>	Ø 3mm	Green
<b>P3</b>	Ø 3mm	Yellow
<b>P4</b>	Ø 3mm	Red/Green
<b>P5</b>	Ø 3mm	Blue
<b>P6</b>	Ø 3mm	White
<b>P7</b>	Ø 3mm	Orange