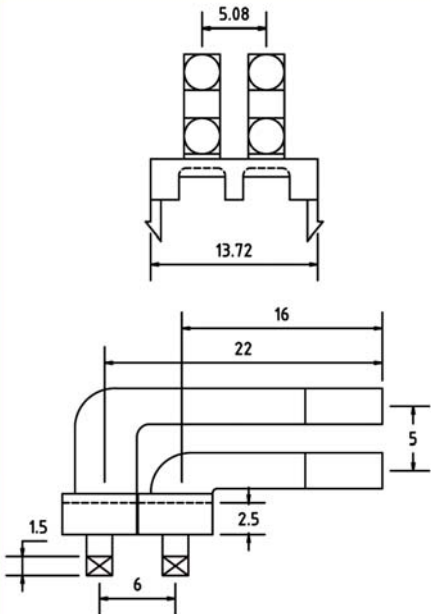


Series K24599



K24599 = K24299 + K15198

Dimensions in mm (typical)