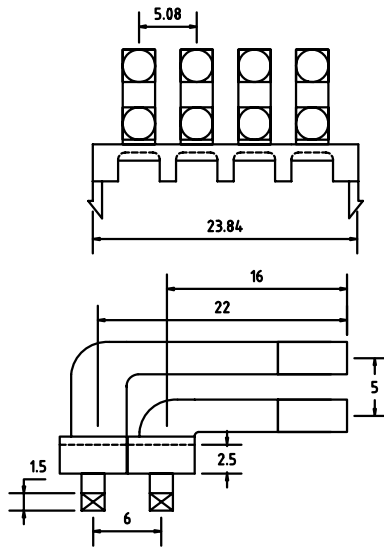


**Series K24499**



$K24499 = K24399 + K24199$

Dimensions in mm (typical)