

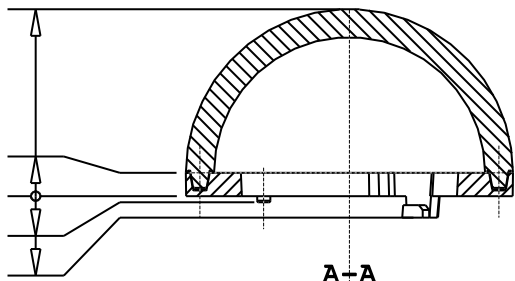
19.99 (0.787)

2.50 (0.098)

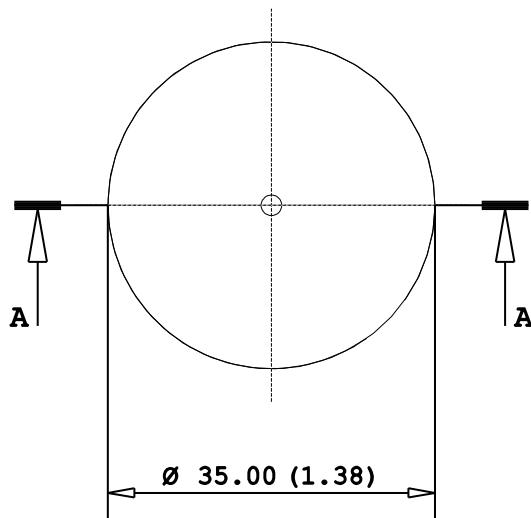
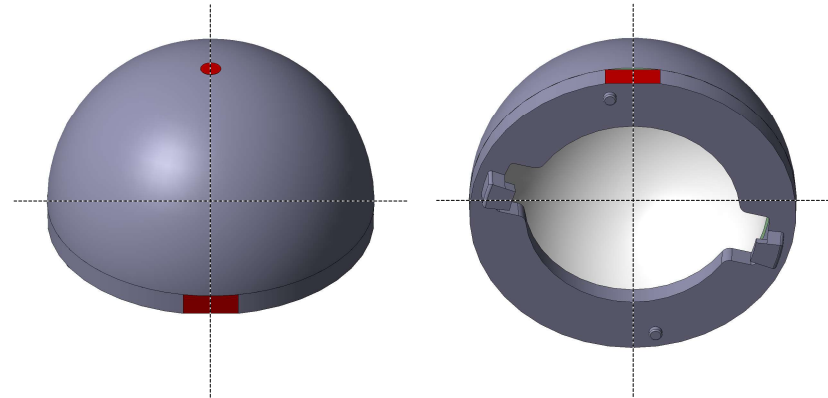
0.00 (0.000)

0.65 (0.026)

2.30 (0.091)



A-A



Ø 35.00 (1.38)

Note:

- Dimensions in inches into brackets
- For dimensions refer to drawing :
- GRACE35/TP
- HLD/GRACE35
- Assembly by ultrasonic welding

" Project and design owned by Khatod OPTOELECTRONIC s. r. l."
 The technical solutions adopted in this design are Khatod intellectual property, they cannot be reproduced and transmitted to third parties without our prior written permission.
 Unauthorized disclosure of confidential proprietary information will be prosecuted by law.

DESCRIPTION : OPTICAL DIFFUSOR 35MM		DESIGNER : MT	PROJECTS : GRACE
CODE : GRACE35/SEMI	CHECKED : LM	CONTROLLED: DP	DATA : 9/05/2023
KHATOD Via Alessandrina, 25 Cusano Milanino MILANO ITALIA WWW.KHATOD.COM	All Dimensions in mm Tolerances in according with: ISO 2768 m		REVISION: 00
			MATERIAL: /////
SCALE : 1 : 1		SHEET : 1 of 1	