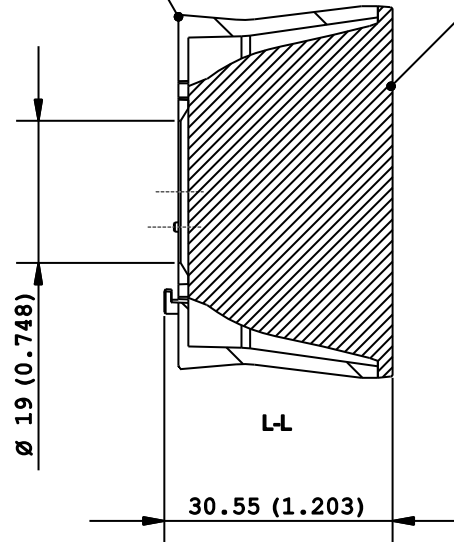


HOLDER
KEFLORA50/XX

LENS
PLFLORA50/XX



Notes:
 - Dimensions in inches into brackets
 - For missing dimensions see 3D file
 In date 18/11/2024:
 - Modified holder design

'' Project and design owned by Khatod OPTOELECTRONIC s. r. l. ''
 The technical solutions adopted in this design are Khatod intellectual property, they cannot be reproduced and transmitted to third parties without our prior written permission.
 Unauthorized disclosure of confidential proprietary information will be prosecuted by law.

DESCRIPTION : LENS & HOLDER ASSEMBLY		DESIGNER : A.D.	PROJECTS : FLORA 50
CODE : FLORA50/XXYY	CHECKED : L.M.	CONTROLLED: D.P.	DATE : 08/10/2024 18/11/2024
KHATOD Via Alessandrina, 25 Cusano Milanino MILANO ITALIA WWW.KHATOD.COM	All Dimensions in mm General Tolerances ISO 2768 m		REVISION: -01-
			MATERIAL: Various
SCALE : 1 : 1			SHEET : 1 of 1